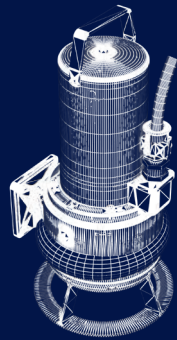
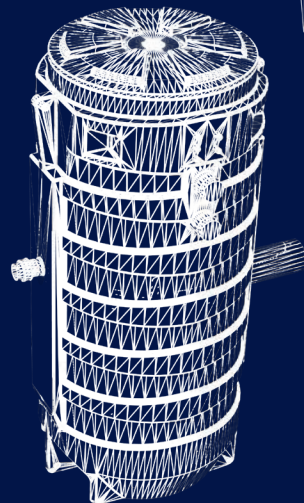
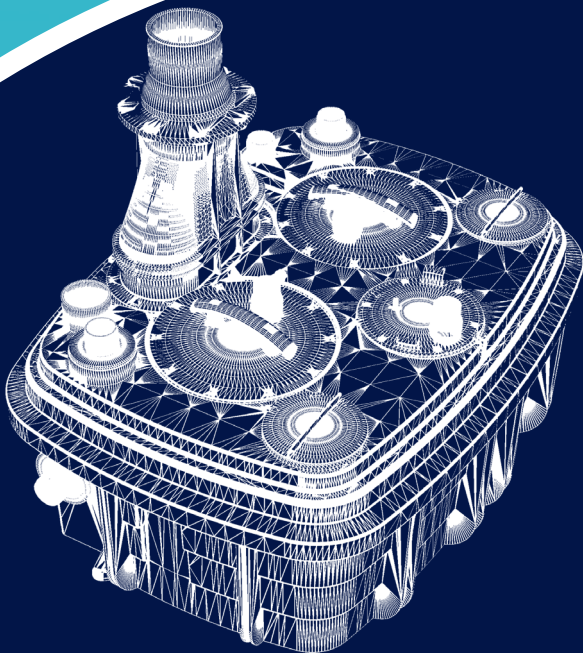


Saniflo  SFA GROUP

BRINGING  
YOUR  
PROJECT  
TO LIFE



PUMPS & LIFTING STATIONS



# CONTENTS

## FLOOR STANDING STATIONS



## UNDERGROUND LIFTING STATIONS



- 4 SFA GROUP
- 6 MADE IN FRANCE
- 8 EUROPEAN PRODUCTION
- 9 THE SFA GROUP
- 10 CSR
- 11 SANIFLO SUPPORT
- 12 CASE STUDIES
- 13 CHOOSING THE RIGHT LIFTING STATION
- 14 OUR RANGE OF STATIONS
- 15 SFA PUMPSELECT
- 16 HYDRAULIC TECHNOLOGY
- 17 GLOSSARY
- 18 WHICH STATION DO I NEED
- 20 WHICH PUMP DO I NEED

### 22 FLOOR STANDING STATIONS

- 26 Sanicom 1
- 28 Sanicom 2
- 30 Sanicubic 1
- 32 Sanicubic 2 Classic
- 34 Sanicubic 2 Pro
- 36 Sanicubic 1 GR
- 38 Sanicubic 2 GR
- 40 Sanicubic 1 GR HP
- 42 Sanicubic 2 GR HP
- 44 Sanicubic 1 VX
- 46 Sanicubic 2 VX
- 48 Sanicubic 1 SC
- 50 Sanicubic 2 SC

### 52 UNDERGROUND LIFTING STATIONS

- 58 Sanifos 110 Grey water
- 60 Sanifos 110 Grey water, black water
- 62 Sanifos 280 Grey water, storm water
- 64 Sanifos 280 Grey water, black water
- 66 Sanifos 610 Grey water, storm water
- 68 Sanifos 610 Grey water, black water
- 70 Sanifos 1300 Grey water, rain water
- 72 Sanifos 1300 Grey water, black water
- 74 Sanifos 1600/2100/3100

### 78 SUBMERSIBLE PUMPS

- 80 Sanipuddle
- 82 Sanisub 400
- 84 Sanisub 800
- 86 Sanisub 800 Rainkit
- 88 Sanisub Steel and Emergency Kit
- 90 Sanisub ZPK
- 92 Sanisub S ZPK
- 94 Sanipump GR/VX
- 96 Sanipump ZPG 71
- 98 Sanipump ZFS 71
- 100 Sanipump SLD 700
- 102 Sanipump VX 50
- 106 Sanipump VX 65/80

### 110 ACCESSORIES

- 110 Alarms and control boxes
- 113 Sanifos accessories
- 114 Sanicubic accessories
- 116 Submersible accessories

### 118 ZEHNDER PRODUCTS

- 118 ZF 80 Ex & ZF 100 Ex
- 118 Kompaktboy
- 119 W80

## SUBMERSIBLE PUMPS



## ACCESSORIES



## ZEHNDER PRODUCTS

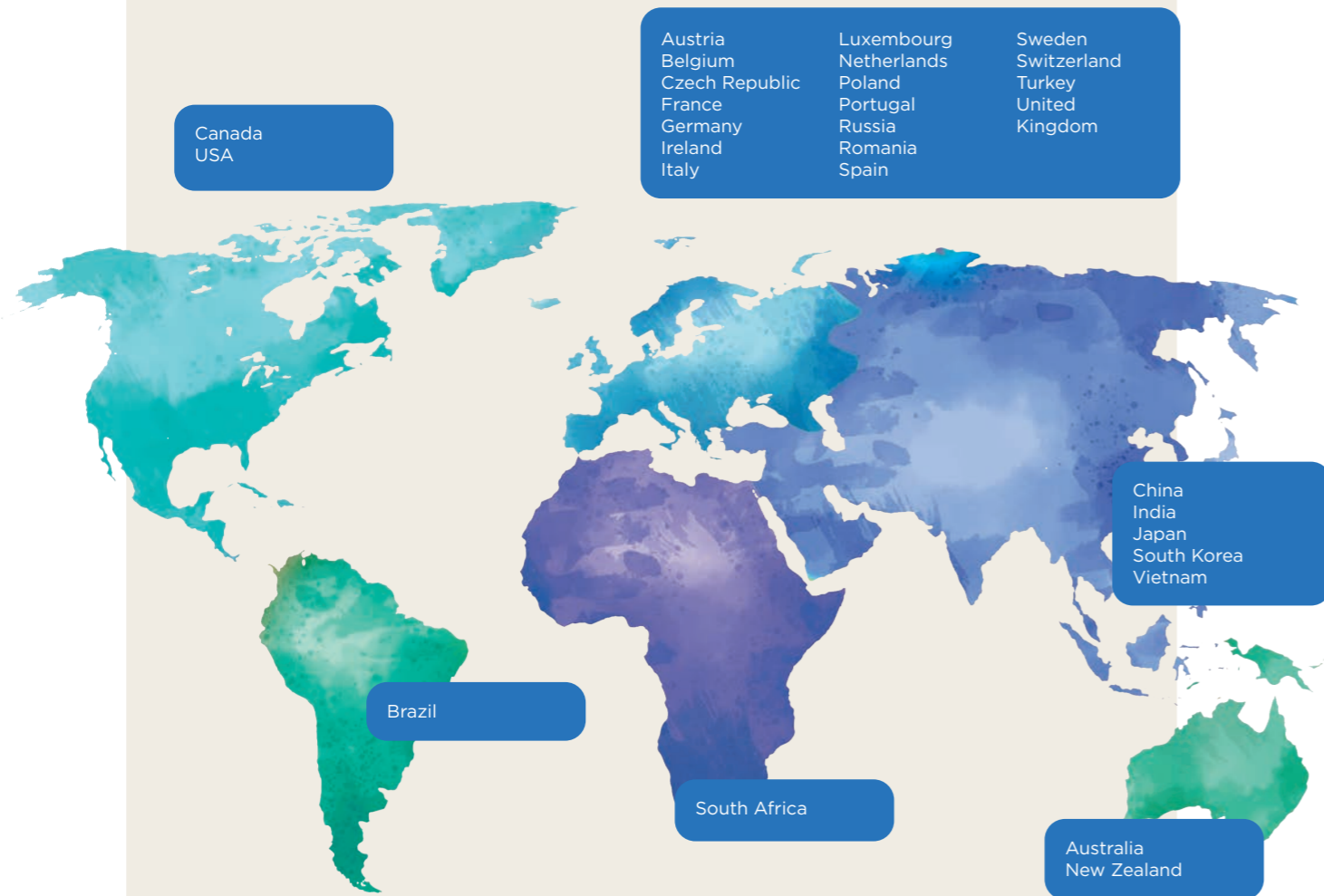




# SFA GROUP: THE WORLD LEADER FOR SANITARY EQUIPMENT

## AN INTERNATIONAL GROUP

SFA is established in 27 countries on 5 continents. Not only providing products but also trained professionals to help install and maintain our products to keep our customers happy.



**WE ALSO EXPORT TO MANY COUNTRIES, E.G.**  
Cyprus, Malta, Norway, Baltic States, Croatia, Israel, Ukraine, Bulgaria, Middle East, French overseas departments and territories, Algeria, Morocco, Tunisia, Egypt, Greece, Sudan, Finland, West Africa, ...



## THIS IS THE SIGNATURE OF THE SFA GROUP

In 1958 SFA group invented the macerator; an ingenious product that has revolutionised interior design throughout the world.

Our technological advances mean we have strived to improve our offer both to homes and commercial properties.

### THE SFA GROUP IS DEVELOPING AROUND 4 AREAS OF ACTIVITY

- Domestic pumping solutions
- Professional pumping solutions
- Equipment for the showering and spa industries
- Water treatment

## VISIONS AND PERSPECTIVES

Our growth in the sector was boosted by the acquisition of Zehnder Pumpen, who were already a global player in the lifting station market.

Now SFA has an even stronger market position and even more pumps and lifting stations in our range to bring you the product that is right for your project.

### 1958

SFA was founded and the first macerator was invented. Acquisition of Europelec

### 1970

Established the market in Europe and North America

### 1988

Acquisition of Kinedo – our shower brand

### 1990

ISO certification of our factories

### 2019

Acquisition of Zehnder Pumpen

### 2020

New corporate identity and acquisition of Format showers and Aquaturbo Systems

### 2022

Creation of two new subsidiaries – India and Vietnam



# MADE IN FRANCE

The Saniflo factory in Brégy, France has been operating since 1958 and now has around 300 employees, all working hard to bring to life our SFA motto "making things easier" for both our customers and installers.

Due to the continuous investment, our site in Brégy has grown significantly and is now almost a completely autonomous production centre.

## TESTS AND DESIGN



New ideas and thorough testing take place in the site laboratory, to ensure the quality and longevity of each product.

## PRODUCING COMPOSITE AND RUBBER PARTS



We have 42 injection moulding machines and 760 moulds within the factory. The production is fully automated, from taking the plastic pellets from silos right through to finished goods.

## SFA ACADEMY



Our factory in Brégy now has a 300 m<sup>2</sup> showroom with an adjoining 40 m<sup>2</sup> training room for training via the SFA Academy. The showroom displays about 50 SFA products, including domestic and commercial products.

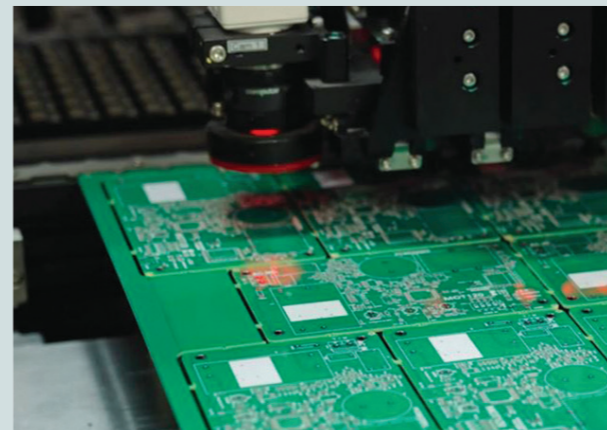
Our UK head office has a smaller showroom and meeting room, but is also used for meetings and training.

## WINDING AND MANUFACTURING MOTORS



SFA production lines have included the manufacture of the winding and assembly of the motors since 1960. This is a fully robotic process with digital controls to ensure the quality of the process throughout the production.

## ELECTRONIC COMPONENTS



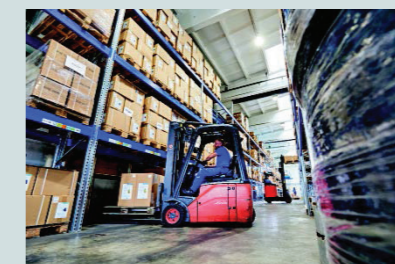
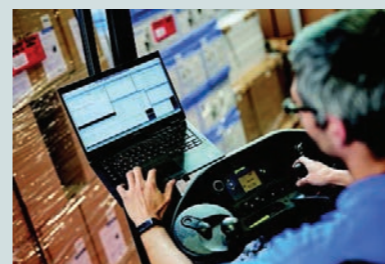
Our electronic components are also manufactured on site at Brégy and assembled by our operators.

## COMPONENT ASSEMBLY



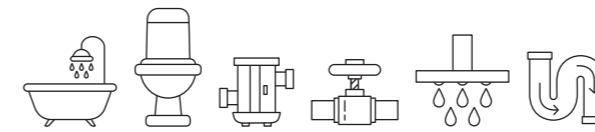
Components are assembled partly by human hand and partly by robots to ensure each component is meticulously positioned.

## LOGISTICS



Product is shipped worldwide from our Brégy factory.





## European production

SFA has invested heavily in high performance equipment to advance its production methods and times.

We manage the quality control at each stage of production to maximise efficiencies and ensure the quality of each component to make every unit reliable and give our customers confidence in the Saniflo brand.

We are recognised by independent laboratories and each factory meets the various standards required for our products to be sold across the world:

- CE label for Europe
- PCT standard for the Russian market
- CSA standard for North America
- JET standard for Japan

SFA macerators are recognised as the **quietest** on the market by the National Metrology and Testing Laboratory.



### BRÉGY, FRANCE

The Brégy plant is based in the village of Oise and has over 300 employees. Over the years significant investment has moved the factory on from a simple production site to a largely self-sufficient production centre. To guarantee product quality from start to finish we have integrated the manufacturing of components into our own production processes.

The 25,000 m<sup>2</sup> factory is divided into four units to manage the production of composite and rubber parts, the manufacture of motors, assembly of components and electronic components. This tight control ensures the reliability and quality of our processes and products.



### GRÜNHAIN-BEIERFELD, GERMANY

SFA Group acquired **ZehnderPumpen** in 2019, they are specialists in the production of submersible pumps, garden pumps, lifting stations and domestic pumps.

**Our two production plants share the values of SFA within the sanitary industry: innovation, robustness, durability and performance.**

## The SFA Group

Domestic and commercial solutions wherever water flows.



Europelec, specialists in water treatment, was founded in 1958 and developed our know-how in engineering and technology.

Aqua Turbo systems joined the group in 2020 and together they have been rebranded to form our SFA enviro brand.



Kinedo is our specialist showering brand.

With acquisitions of Blanc, Algue, Grandform and Format, the Kinedo brand has grown in strength and consists of shower cubicles, enclosures, trays, walk in shower baths, Kinewall as well as spa equipment.



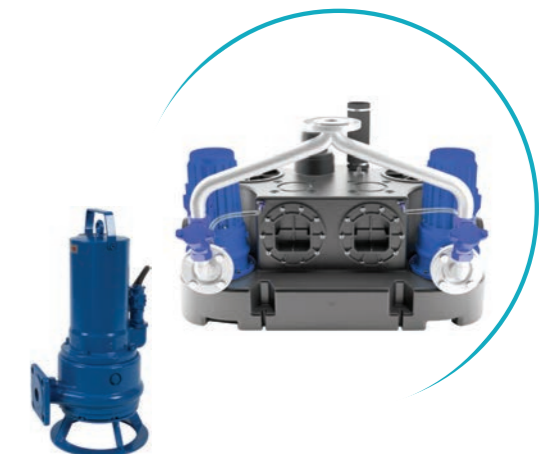
Our range of macerators and pumps are developed, designed, manufactured and tested in France.

The range has grown both in products and technology, to cover all markets. Whether it's domestic or commercial from a single house to a shop, hotel or public building Saniflo has a solution. The Saniflo brand is synonymous with quality, technology and reliability.



Our recent acquisition of Zehnder Pumpen has strengthened our position in the commercial pumps field and includes heavy duty macerators, pumps and lifting stations for above and below ground.

Products from both our French and German factories offer solutions for both black water and grey water, for large commercial and industrial premises or large housing projects for example: factories, large public buildings, apartment blocks, office blocks etc.



# CORPORATE SOCIAL RESPONSIBILITY

## OUR GOAL: TO DESIGN AND MANUFACTURE DOMESTIC AND PROFESSIONAL SOLUTIONS WHEREVER WATER FLOWS

In 2016, the management of SFA decided to engage the whole group in a Corporate Social Responsibility process looking at the environmental impact of the business, to meet new challenges in terms of communication, human resources and regulatory conformity.

Our commitment is to ensure growth whilst being sustainable and responsible for our activities, to meet social and environmental challenges whilst delivering excellent customer service.

Our inventiveness in the design of our products as well as the creation of our brands respect two fundamentals: quality and service. SFA solutions and products set a benchmark within the profession and beyond when it comes to respecting best practices.

Issues related to the environment and looking at our eco-responsibilities start from the design through to delivery of the final product, as we look at ways we can reduce waste. We not only strive to improve our own performance, but also to raise the bar ever higher amongst our partners and suppliers.



### SOCIAL COMMITMENT AND SPONSORSHIP

In 2021, the SFA Group donated three AquaHome systems in Cambodia by partnering with Planet Water Foundation. Three of the poorest households in Siem Reap now and for the first time ever have clean water and lighting.



Since 2018, SFA has been supporting the organisation 'Une Villa en Urgence' during World Toilet Day by donating products. These are used when repurposing spaces from old refrigerated truck trailers, into emergency accommodation for those without homes.

### ECOVADIS CSR ASSESSMENT

EcoVadis, the world's most reliable corporate sustainability assessor, awarded a bronze medal to the SFA Group.

The EcoVadis assessment is based on international sustainable development criteria, such as the Global Reporting Initiative (GRI) standards, the United Nations Global Compact and the ISO 26000 standard, which covers 200 categories of contributions and more than 160 countries.

The SFA Group was rated on the basis of a sustainability criteria assessment sheet, illustrating its performance through 21 indicators divided into four main categories:

ENVIRONMENT

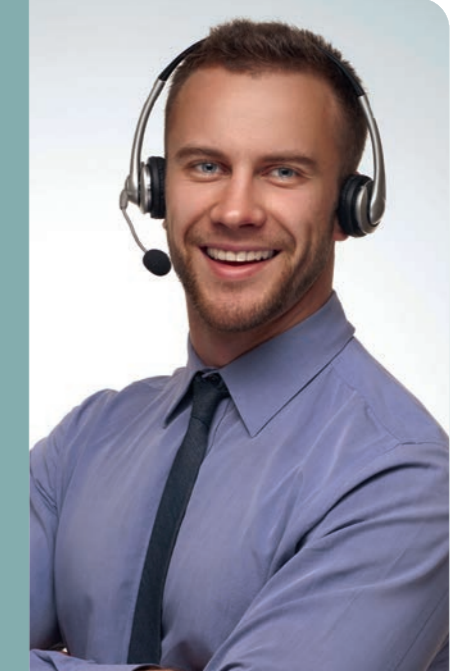
LABOUR AND HUMAN RIGHTS

ETHICS

SUSTAINABLE PURCHASES



## Saniflo is here to support you



We are here to help you every step of the way:

Our in-house team can discuss your specific requirements and work with your team to ensure the correct pump is selected.

We are happy to advise you over the phone, email or via our website [www.saniflo.co.uk](http://www.saniflo.co.uk)

### Do you have a technical question?

Contact us on: 020 8842 0033 or by email: [technical@saniflo.co.uk](mailto:technical@saniflo.co.uk)



# Case studies

Product	Domestic	Commercial	The problem	The solutions
<b>Sanicubic 2 GR</b>		X	<b>Restaurant in Madrid:</b> Connect the kitchen and sanitary facilities to the sewer system in the city. A unique and effective solution to avoid major works.	
<b>Sanifos 3100 2 pumps 71.1 T</b>		X	<b>Brégy industrial site:</b> Remove black water from factory buildings.	
<b>Sanifos 1300 VX</b>	X		<b>Individual house:</b> Remove waste water from a house of 200 m² with three-phase power supply, a large difference in height and 85 m of pipework to reach the sewer.	
<b>Sanicubic 1 Sanispeed +</b> (Sanispeed+: see Pumps & Macerators brochure)		X	<b>Worksite base:</b> Connect toilets, sinks, and showers all in one large renovation.	
<b>Sanicubic 1</b>	X		<b>Individual house:</b> Connect a wall-hung WC, basin, shower and bathtub. Needed to pump up 2 m and along 6 m.	
<b>Sanispeed +</b> (see Pumps & Macerators brochure)		X	<b>Service station in Australia:</b> Unit used to install a coffee machine within a garage.	
<b>Sanipump ZFS 71</b>		X	<b>Two houses and a sports hall:</b> Replace the pumps in an existing pit to remove waste water.	
<b>Sanifos 610 GR SP</b>		X	<b>Hotel complex in Brazil:</b> Remove waste water from 16 apartments. The water needed to be pumped up 7 m and along 30 m.	
<b>Sanifos 610 GR SP</b>	X		<b>Individual house:</b> Remove waste water from a detached house. Installation in the basement and water needed to be pumped up to sewer height.	

# Help in choosing the right lifting station

## 1

### DETERMINE THE PEAK FLOW RATE (Q)

This is the volume of water to be drained per unit of time depending upon the type and number of appliances connected to the lifting station.

The flow rate can be expressed in cubic metres per hour (m³/h) or in litres per second (l/s).

**In the examples shown we have taken one house to comprise of:** 1 WC, 1 bath, 1 shower, 1 wash basin, 1 sink, 1 washing machine, 1 dishwasher.

#### Estimated flow

Number of houses	Flow
1 house (1 to 3 inhabitants)	2.5 m³/h
Up to 2 dwellings (4 to 6 inhabitants)	5 m³/h
Up to 4 dwellings (7 to 9 inhabitants)	10 m³/h
Up to 6 dwellings (10 to 12 inhabitants)	15 m³/h

## 2

### CALCULATE TOTAL HEAD

The total Head corresponds to the pressure the pump will have to provide between the suction and discharge point.

**Total head = Geometric height + Pressure drop**

**Static head**  
This is the delivery height (expressed in metres of water column).

**Dynamic head**  
This is the sum of pressure losses in the discharge line (expressed in metres of water column).

**There are 2 types of pressure drop:**

- Major pressure loss from friction of fluid against the walls of the discharge pipe
- Minor pressure loss from components such as elbows, non-return valves etc.

They must be added to the static Head to determine the total head.

The value obtained in this table is to be multiplied by the total length of the evacuation pipe to obtain the pressure loss.

**For help with your calculations or for further advice please speak to our technical team on 020 8842 0033.**

#### Pressure drop table

Flow in m³/h	DN PN10 pressure PVC piping							
	DN 32 36.2/40	DN 40 45.2/50	DN 50 57/63	DN 65 67.8/75	DN 80 81.4/90	DN 100 101.6/110	DN 125 129.2/140	DN 150 147.6/160
2	0.011							
3	0.022	0.008						
4	0.037	0.013						
5	0.054	0.019	0.006					
6	0.075	0.026	0.009					
7	0.099	0.034	0.011					
8	0.126	0.043	0.014	0.006				
9		0.054	0.018	0.008				
10		0.065	0.021	0.009				
12		0.090	0.029	0.013	0.005			
15			0.044	0.019	0.008			
20				0.032	0.013	0.005		
25				0.048	0.020	0.007		
30					0.028	0.010		
40						0.016	0.005	
50						0.024	0.008	
60						0.033	0.01	0.006
70						0.044	0.014	0.007
80						0.056	0.018	0.009
90							0.022	0.011
100							0.026	0.014
120							0.037	0.019
150								0.029

## 3

### CHOOSE A STATION

Having worked out the head and flow rate, you can now select the station you need: see page 16 for floor standing stations and page 40 for underground stations. If you need any help in this you can contact our technical team on 020 8842 0033.

#### Selection example

A customer wishes to install a lifting station for all waste water in the boiler room of his communal housing building, comprising two dwellings. The height between the ground where the station will be placed and the sewer is 4 m. The total length of piping is 10 m in PVC DN 40 (external Ø 50 mm).

**1** Estimate Q: from the table Q = 5 m³ / h

**2** Calculation of head: Height = 4 m, Pressure drop = 0.019 x 10 = 0.19 m, Total head = 4 + 0.19 = 4.19 m

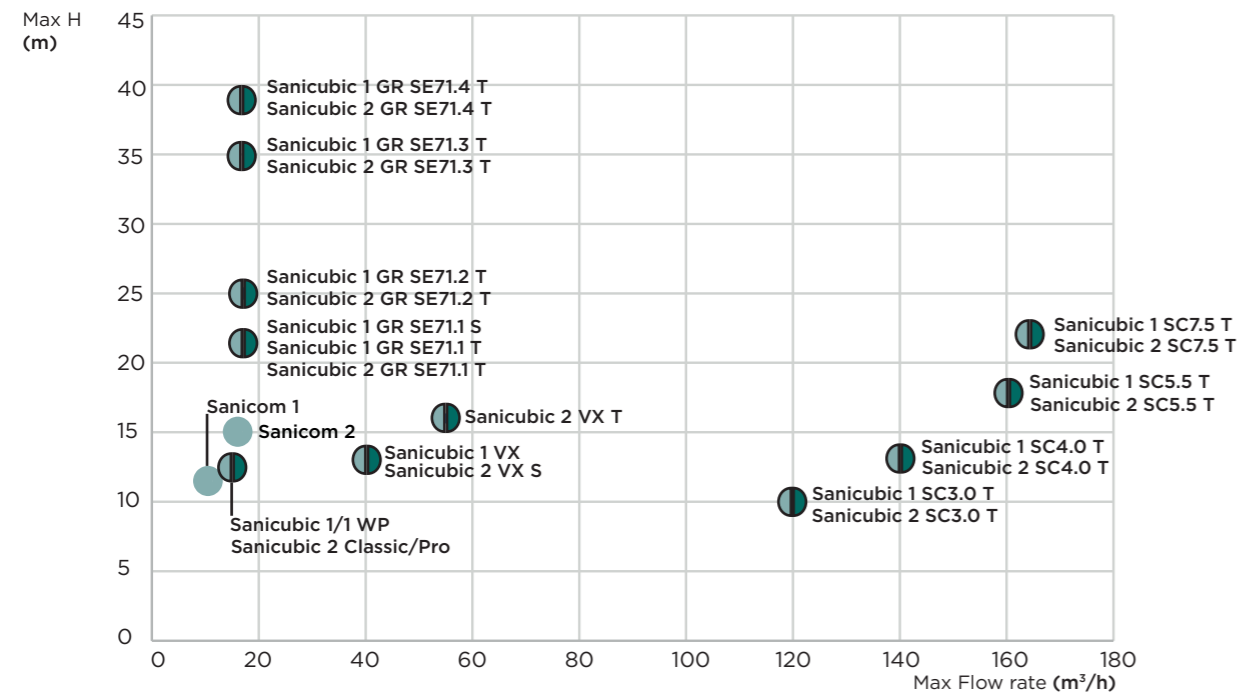
**3** Choice of product: For floor installation, Sanicubic 1 and 2 pumps up to 13 m and allowing a flow rate of 15 m³/h may be suitable. Sanicubic 2 has two motors operating alternately as well as an additional inlet.

# Our full range of stations

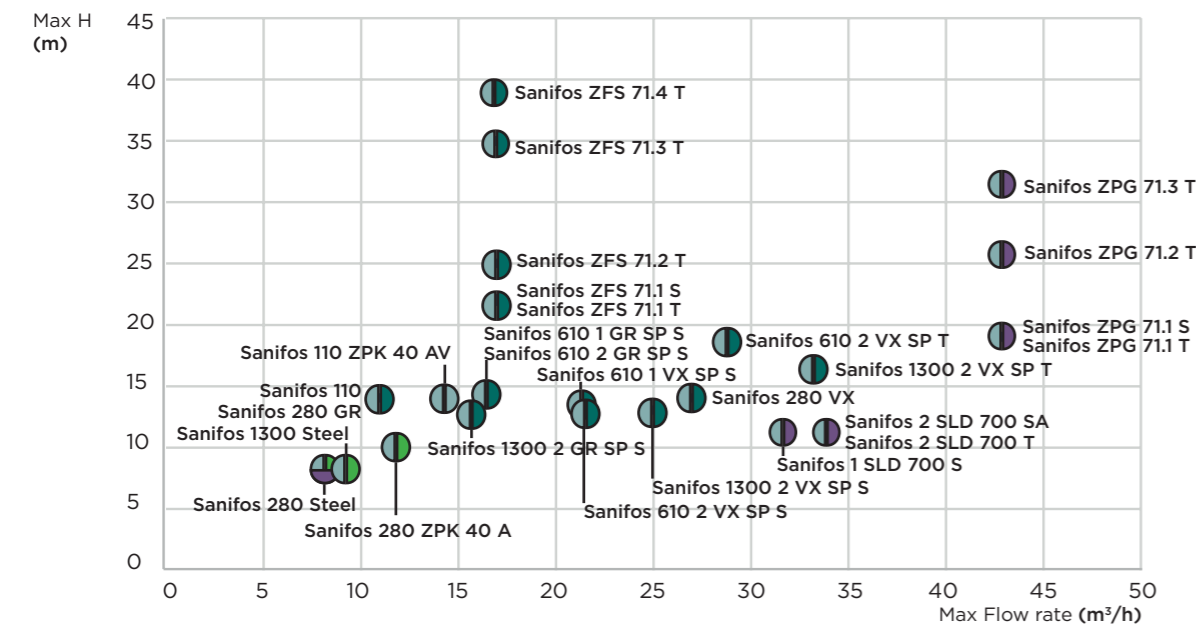
SFA Saniflo offers a wide range of lifting stations for all of your projects: including lifting stations for grey water, black water or rainwater, that can be used above or below ground, in single-phase or three-phase versions.

The performance of our products and your specific project will determine the right product for you.

## Our floor standing stations



## Our underground stations

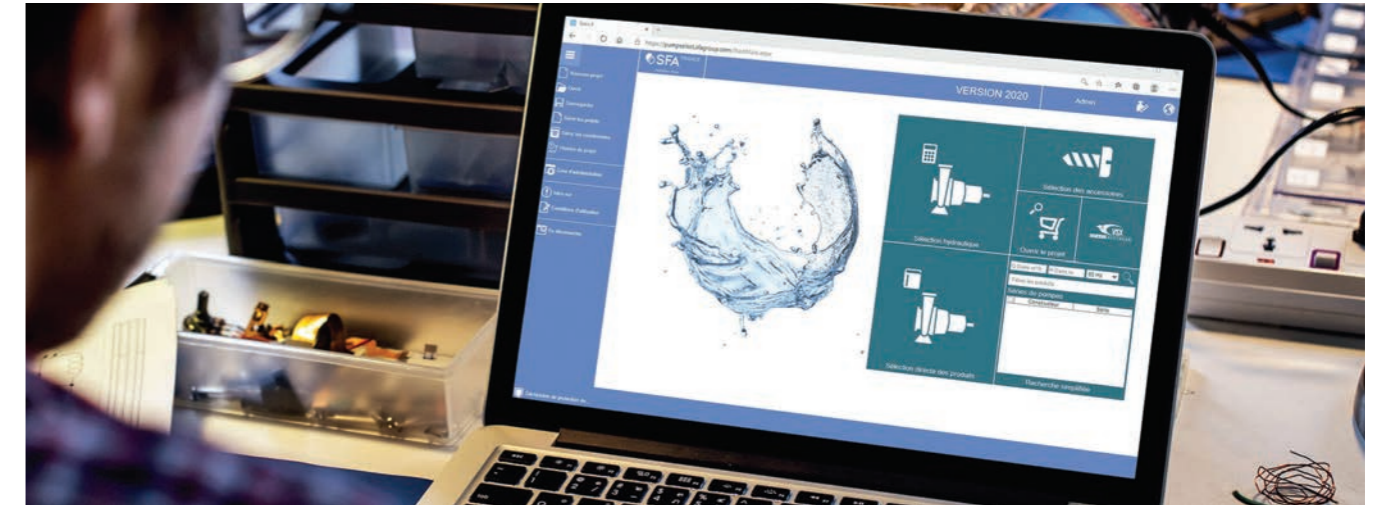


- Grey water
- Black water
- Rainwater
- Water after treatment

The data indicated corresponds to the maximum values of Flow and Head

# SFA PumpSelect Quick and easy to size up any project

SFA PumpSelect is sizing software, to help you select the right pump for your project.



## Hydraulic selection using duty point as a selection basis

Select pumps based on wastewater type and duty point (flow rate, static head and dynamic head).

Flow curves detailing duty and operating points can be produced to allow you to make the best selection possible.

Multiple duty points, and multiple pumps can be selected for comparison.

## Product Selection Browser using series name and pump type

Browse the extensive range of commercial pumps and lifting stations by series name or pump type to quickly retrieve technical information such as flow curves, dimensions, datasheets and pictures.

After the pump has been selected, (similar to the hydraulic selection) you can input fluid and duty details to produce flow curves and operating points.

## QuickSearch

Simply enter flow rate, total head, frequency (50Hz for the UK and any key words to bring up relevant pump selections.

The relevant pumps are displayed without any intermediate steps along with pump specifications and flow curves.

Application available on Saniflo.co.uk Professional section, no software installation required.





# Hydraulic technology

## Our pumps – from expertise to performance

The pump is the main element of the pumping station. It is expected to pump waste water away from an installation in a reliable way.

Saniflo, part of the SFA group are always innovating to improve the performance of their pumps.

Their reliability and safety are guaranteed thanks to the multitude of tests carried out during the manufacturing process in our factories: two electrical tests, a leak test and a functional test.



### Grinder Pro X K2

The Pro X K2 impeller is a robust blade that has been designed to deal with the occasional obstruction such as a wet wipe or sanitary products.

- Sanicubic 1
- Sanicubic 2 Classic
- Sanicubic 2 Pro/2 Pro Smart
- Sanifos 110/280/610/1300
- Sanipump GR



### Grinder Pro X K3

The sharp edges of the Pro X K3 are designed to grind and reduce solids before they enter the pump. Ideal for pumping black water.

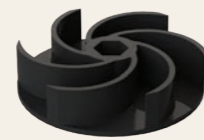
- Sanicubic 1 GR
- Sanicubic 2 GR
- Sanifos 1600/2100/3100
- Sanipump ZFS 71



### Closed impeller

Gives maximum strength and a more efficient flow. They are used in larger pumps, transferring grey water as they are less able to deal with solids.

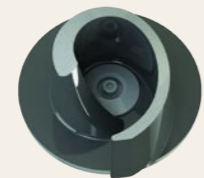
- Sanicom 1
- Sanicom 2



### Vortex impeller KX V6

Vortex impeller is able to deal with particles of up to 50 mm. The vortex generated keeps solids away from the impeller, reducing the risk of clogging.

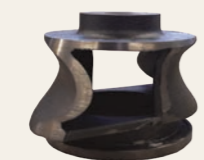
- Sanicubic 1 VX
- Sanicubic 2 VX
- Sanifos 280/610/1300 (VX Versions)
- Sanipump VX



### Single channel impeller

The single channel impeller has a large free passage to reduce clogging and give maximum pumping efficiency. It can be used for pumping waste water from households, commercial buildings, etc.

- Sanicubic 1 SC
- Sanicubic 2 SC



### Two-channel impeller

Our two channel impeller prevents clogging and is suitable for pumping waste with coarse solid matter or threadlike content, hence ideal for the larger Sanifos units.

- Sanipump ZPG 71
- Sanifos 1600/2100/3100



### Two-channel impeller for rainwater

- Our new two-channel impeller for rainwater.
- Sanipump SLD 700

# Glossary

## Index

<b>Grey water</b>	Waste water from showers, baths, washing machines, dishwashers, washbasins and sinks, excluding water from a WC.
<b>Black water</b>	Waste water from toilets as well as water from bidets, showers, sinks, wash basins etc.
<b>Waste water</b>	Water modified by human activity. Refers to grey water and black water.
<b>Clear water</b>	Water containing particles smaller than 1 mm.
<b>Flood water</b>	Water containing material that could clog a pump.
<b>Rainwater</b>	Water from atmospheric precipitation.
<b>Corrosive and/or saline water</b>	Water containing a significant amount of dissolved solids that may pose a risk to an unsuitable pump (e.g. salts up to 15%).
<b>Potable water</b>	Water that is safe for human consumption.

## Abbreviations

<b>PE</b>	Polyethylene
<b>PA</b>	Polyamide
<b>PP</b>	Polypropylene
<b>EN-GJL</b>	Grey cast iron
<b>PPO</b>	Polyphenylene oxide
<b>GF</b>	Fibreglass
<b>LD</b>	Low density
<b>HD</b>	High density

<b>Q</b>	Flow rate
<b>H</b>	Head
<b>DN</b>	Nominal diameter
<b>Ext.</b>	External diameter
<b>SS</b>	Stainless steel
<b>GS</b>	Galvanised steel
<b>S1</b>	Continuous operation
<b>S3</b>	Intermittent operation

## Key

	Inlet
	Discharge
	Ventilation
The diameter means the external diameter Øext.	
The diameter is shown in mm.	

Our devices comply with EN12050-1 on all water pumping stations, EN12050-2 on pumps and EN 60335-1 on household electrical appliances. Products must be installed correctly and according to standards EN12056-4 and EN752.

## WHICH FLOOR STANDING LIFTING STATION DO I NEED FOR MY PROJECT?

I AM INTERESTED IN:  a quote  a sizing request  a site survey

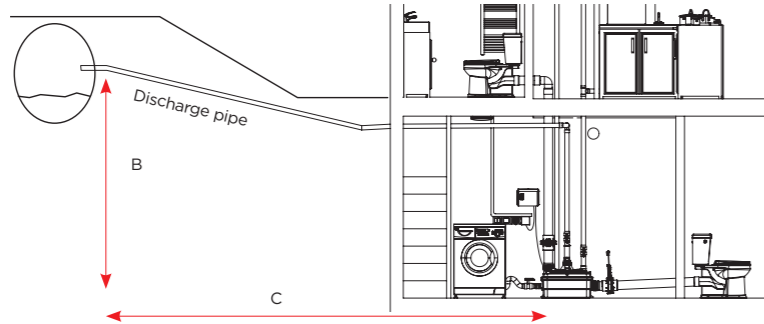
Your company: .....

Name: .....

Address: .....

Postcode: ..... City: .....

Phone: ..... Email address: .....



Project name / reference: .....

Estimated date of completion: .....

Address: .....

Postcode: ..... City: .....

Number of units to be installed:  
Toilet(s) \_\_\_ Wash basin/bidet(s) \_\_\_ Shower(s) \_\_\_ Bath(s) \_\_\_ Dishwasher \_\_\_ Washing machine \_\_\_ Sink \_\_\_ Floor drain \_\_\_ Other \_\_\_

### PROJECT DESCRIPTION

Number of users: ..... Number of pumps:  1  2

Phase:  Single phase  Three phase Type of water:  clear  grey  black  rain

Vertical height (distance between the level of the drain and the station's lowest inlet point) B: ..... m

Discharge pipe length (distance between the station and the drain) C: ..... m

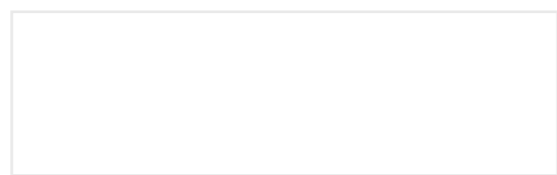
Number of angles at 90°: ..... at 45°: .....

Internal diameter of discharge pipe: .....

### PARTNER STAMP

Name: .....

First name: .....



## WHICH UNDERGROUND LIFTING STATION DO I NEED FOR MY PROJECT?

I AM INTERESTED IN:  a quote  a sizing request  a site survey

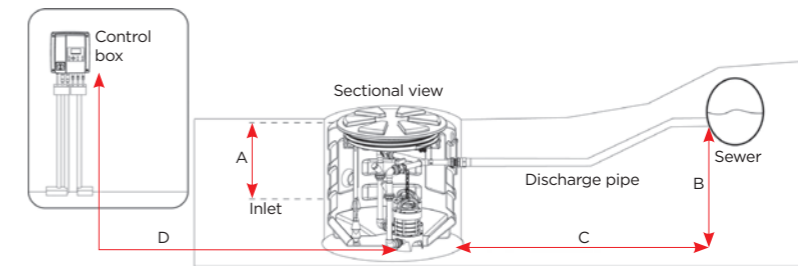
Your company: .....

Name: .....

Address: .....

Postcode: ..... City: .....

Phone: ..... Email address: .....



Project name / reference: .....

Estimated date of completion: .....

Address: .....

Postcode: ..... City: .....

Number of units to be installed:  
Toilet(s) \_\_\_ Wash basin/bidet(s) \_\_\_ Shower(s) \_\_\_ Bath(s) \_\_\_ Dishwasher \_\_\_ Washing machine \_\_\_ Sink \_\_\_ Floor drain \_\_\_ Other \_\_\_

### PROJECT DESCRIPTION

Number of users: ..... Number of pumps:  1  2

Phase:  Single phase  Three phase Type of water:  clear  grey  black  rain

Installation site:  in a green space  under paving stones  presence of ground water

Invert level (distance between the ground and the station's lowest inlet point) A: ..... m

Vertical height (distance between the level of the drain and the station's lowest inlet point) B: ..... m

Discharge pipe length (distance between the station and the drain) C: ..... m

Installation of the control box:  indoor  outdoor

Distance between pump and control box: D: ..... m

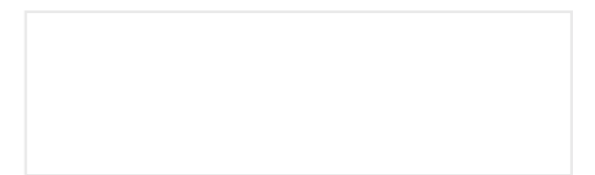
Number of angles at 90°: ..... at 45°: .....

Internal diameter of discharge pipe: .....

### PARTNER STAMP

Name: .....

First name: .....





**I AM INTERESTED IN:**  a quote  a sizing request  a site survey

Your company: .....

Name: .....

Address: .....

Postcode: ..... City: .....

Phone: ..... Email address: .....

Project name/reference : ..... Address : .....

Estimated date of completion : ..... Postcode : ..... City : .....

## PROJECT DESCRIPTION

Manhole or pit depth : ..... m

Diameter of manhole or pit : ..... m

Type of water :  Clear  Black  Grey  Rain

Flow rate : ..... m<sup>3</sup>/h number of people : .....

Vertical discharge height : ..... m

Discharge pipe length : ..... m

Phase :  Single phase  Three phase

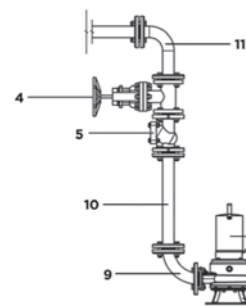
Number of pumps :  1  2

Distance between the pump and the control box : ..... m

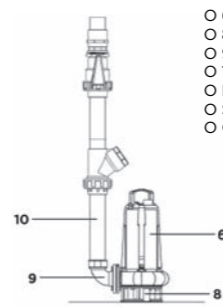
The control box will be installed :  Inside  Outside

Commissioning needed :  Yes  No

### FLOOR PUMP

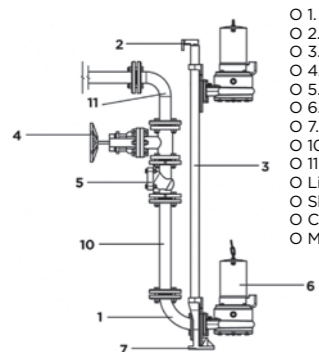


- 4. Stop valve
- 5. Check valve
- 6. Pump
- 8. Base for pump
- 9. Pump outlet rise elbow
- 10. Lift Tube
- 11. Outlet elbow
- Lifting chain
- Shackle
- Control box and float
- Mounting accessories

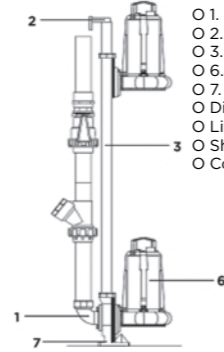


- 6. Pump
- 8. Base for pump
- 9. Pump outlet rise elbow
- 10. Lift Tube
- Lifting chain
- Shackle
- Control box and float

### FLOOR STANDING PUMP



- 1. Rise elbow for foot
- 2. Guide bar support
- 3. Guide bar
- 4. Stop valve
- 5. Check valve
- 6. Pump
- 7. Pump base
- 10. Lift tube
- 11. Outlet elbow
- Lifting chain
- Shackle
- Control box and float
- Mounting accessories



- 1. Rise elbow for foot
- 2. Guide bar support
- 3. Guide bar
- 6. Pump
- 7. Pump base
- Discharge kit DN 50mm (ext 63)
- Lifting chain
- Shackle
- Control box and float

**I AM INTERESTED IN:**  a quote  a sizing request  a site survey

Your company: .....

Name: .....

Address: .....

Postcode: ..... City: .....

Phone: ..... Email address: .....

Project name : ..... Flow rate : ..... m<sup>3</sup>/h

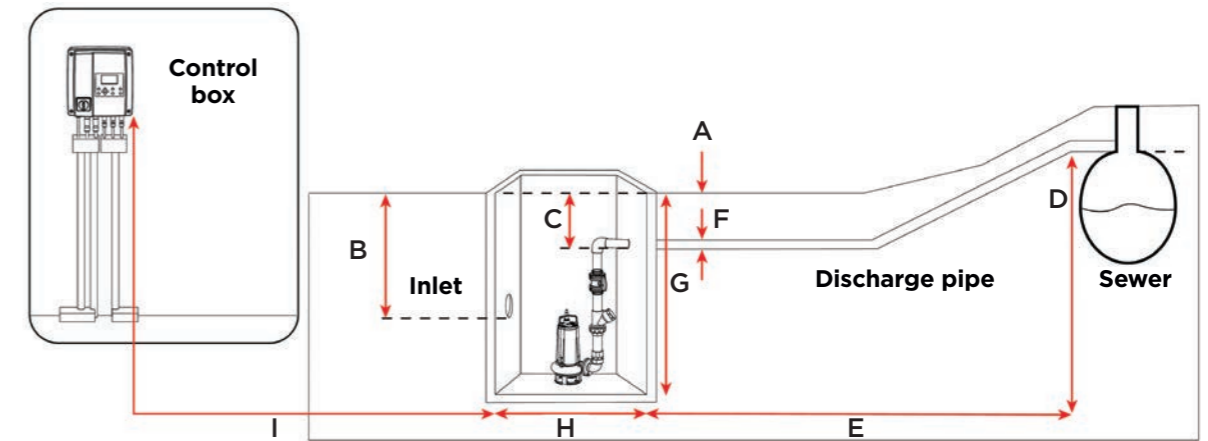
Estimated date of completion : ..... Number of **appliances** to remove waste from :

Address : .....  Toilet(s).....  Basin(s)/Bidet(s).....  Shower(s) .....

Post code : ..... City : .....  Bath(s).....  Dishwasher(s).....  Washing machine(s) .....

Sink(s).....  Floor-drain(s) .....

## PROJECT DESCRIPTION



- A : Natural land ..... cm
- B : Inlet ..... cm
- C : Outlet water line ..... cm
- D : Vertical height ..... cm
- E : Total delivery length ..... m
- F : Internal discharge diameter ..... mm
- G : Station depth ..... cm
- H : Station diameter ..... cm
- I : Distance between the station and the control box ..... m

Type of water :  Clear  Black  Grey  Rain  Other

Phase :  Single phase  Three phase

The control box will be installed :  Inside  Outside

Pump mounting :  Stationary with a base  Coupling system without a base

Number of pumps :  1  2

COMPLETE THE ATTACHED FORM. SCAN THE PAGE AND SEND BY EMAIL TO: [TECHNICAL@SANIFLO.CO.UK](mailto:TECHNICAL@SANIFLO.CO.UK)  
IF YOU HAVE ANY QUESTIONS PLEASE CONTACT THE TECHNICAL TEAM ON: 020 8842 0033



# Floor standing stations

Floor standing stations have many advantages: being sited indoors means installation is easier, reduces costs and allows easy access for maintenance. They can be installed in a basement, garage, boiler room etc. depending on the individual situation.



## Sanicom Grey water

- For sinks, dishwashers, glass rinsers, washing machines (bakeries, shops, bars, hair salons etc)
- Bathrooms with sinks, showers, urinals (sports halls, restaurants, offices. NOT for WC waste)
- High temperature condensates (bread ovens)
- Boiler water / softeners



## Sanicubic - Grinder Black water

- Individual houses
- House extensions, summer houses
- Business extensions (creation of sanitary facilities with WC, sinks, urinals)
- Public buildings or places holding events that need additional facilities
- River housing (floating chalets, barges)



## Sanicubic - Vortex Black water

- One or more dwellings connected to the same lifting station
- Sanitary facilities in bars, restaurants
- Stadium or public building sanitary facilities
- Hotels, campsites, offices
- Boats



## Sanicubic SC/GR Black water

- Public buildings (offices, stations, hospitals)
- Shopping centres
- Apartment buildings

## >> Our range of floor standing stations

Product name	Product	Grey water	Black water	Max Head (m)	Max Flow rate (m³/h)
<b>Sanicom 1</b> Page 26		✓		11	12
<b>Sanicom 2</b> Page 28		✓		15	18
<b>Sanicubic 1</b> Page 30		✓	✓	13	15
<b>Sanicubic 2 Classic</b> Page 32		✓	✓	13	15
<b>Sanicubic 2 Pro</b> Page 34		✓	✓	13	15
<b>Sanicubic 1 GR</b> Page 36		✓	✓	39	17
<b>Sanicubic 2 GR</b> Page 38		✓	✓	39	17
<b>Sanicubic 1 GR HP</b> Page 40		✓	✓	18	17
<b>Sanicubic 2 GR HP</b> Page 42		✓	✓	18	17
<b>Sanicubic 1 VX</b> Page 44		✓	✓	13.5	40
<b>Sanicubic 2 VX</b> Page 46		✓	✓	16	55
<b>Sanicubic 1 SC</b> Page 48		✓	✓	22	165
<b>Sanicubic 2 SC</b> Page 50		✓	✓	22	165



# EXAMPLE OF INSTALLING A LIFTING STATION



**GYM**  
Showers and toilets

**DILEMMA**  
? Installing a communal bathroom with toilet, basin and showers in the basement without gravity drainage.

**SOLUTION**  
✓ A Sanicubic 2 VX lifting station was installed in the basement to connect to the main drainage located at street level.

# INSTALLING A Sanicubic FLOOR STANDING STATION

## KEY POINTS TO REMEMBER:

Mandatory vent pipe, ideally through the building roof

Isolation valve on the discharge pipe, should be as close as possible to the Sanicubic unit

Separate control box should be installed in a safe, visible location

Make sure pipework is securely mounted

Integrated non-return valve with operating lever

Ensure service valves are fitted to all inlet and discharge pipework

Sanicubic should be installed in a frost-free location, in a well lit room and with sufficient space for maintenance of the unit





# Sanicom 1

## Grey water

The Sanicom 1 is an automatic powerful lifting station designed to remove grey water from public places such as doctors' surgeries, showers in sports halls, laundrettes, pubs, hair salons etc. Suitable for multiple connections, the unit can handle temperatures up to 90°C for short periods of time. This unit is equipped with a dip tube that controls the activation of the motor. A high level sensor is built into the unit.

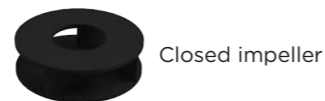


### PERFORMANCE

- Max. Head: 11 m
- Max. Flow rate: 12 m<sup>3</sup>/h

### PRODUCT FEATURES & BENEFITS

- Grey water lifting station
- The unit is floor standing for easy installation
- Easily accessible for maintenance
- 2 side inlets
- Alarm can be fitted to the unit if required



Closed impeller



### OPTIONAL EXTRAS



Wired, audible and visual alarm box  
Product code: 30520  
Barcode: 3308815083384

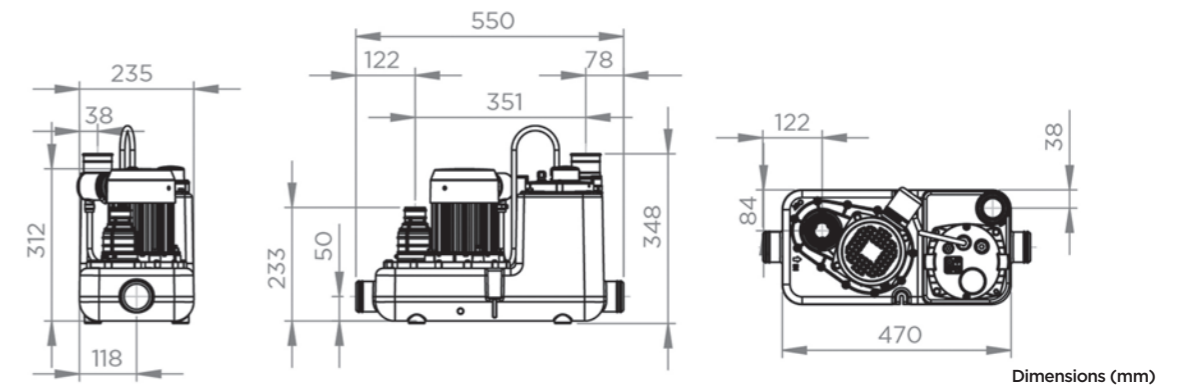


Sanicubic carbon filter  
Product code: 1108  
Barcode: 3308815077529

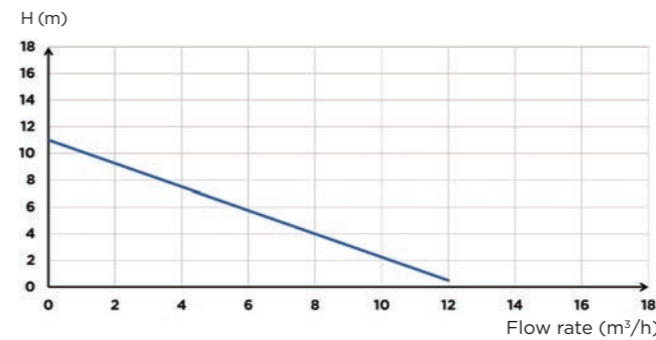
### PACK CONTAINS

Sanicom 1, non-return valve, connectors

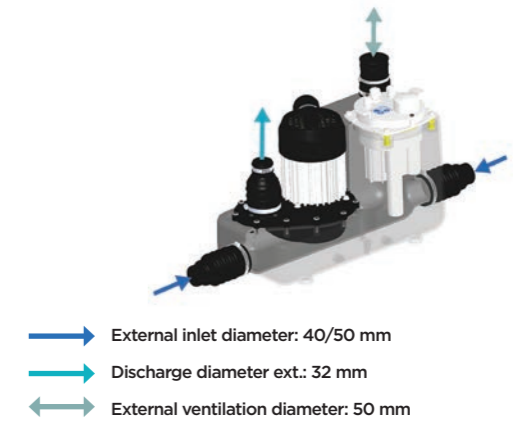
### DIMENSIONS



### CURVE



### CONNECTIONS



	Sanicom 1
Type of control box	Integrated
Material	
Tank	PE
Pump housing	PA 12 GF
Motor housing	Aluminium
Impeller	PA 6 GF
Electrical features	
Voltage (V)	230
Frequency (Hz)	50-60
Power consumption P1 (W)	750
Power output P2 (W)	525
IP rating	IPX4
Hydraulics	
Max. Head (m)	11
Max. Flow rate (m <sup>3</sup> /h)	12
External inlet diameter (mm)	40/50
Discharge diameter ext. (mm)	32
External ventilation diameter (mm)	50
Total volume (L)	14
Useable volume (L)	5.7
ON level /OFF level (mm)	135/50
Alarm level (mm)	205
Particle size (mm)	8
Max. Temperature of the pumped liquid (5 min max)	90°C
Type of impeller	multi-channel
Type of activation	pneumatic
Identification and logistics	
Gross weight (kg)	10
Barcode	3308815082851
Product code	30003



# Sanicom 2

## Grey water

The Sanicom 2 is an automatic grey water lifting station with two powerful independent pumps that can be used in busy commercial applications such as restaurants, pubs, hair salons, cafes etc. Suitable for multiple connections this unit can handle temperatures up to 90°C for short periods of time (max 5 mins). The second pump assists the first pump in case of a sudden large intake of water. The unit is equipped with 2 pneumatic switches controlling the motor operation on one hand and the alarm system on the other. The Sanicom 2 comes delivered with a control panel as standard, integrating an audible and visual alarm, and a remote wired alarm box is available as an option.



### PERFORMANCE

- Max. Head: 15 m
- Max. Flow rate: 18 m<sup>3</sup>/h

### PRODUCT FEATURES & BENEFITS

- Grey water lifting station
- Floor standing for easy installation
- Easily accessible for maintenance
- 2 side inlets with outer diameter 40/50/80
- 2 pumps operate alternately for more even use
- Control box with intergrated alarm comes as standard
- Additional remote alarm can be fitted if required



Closed impeller



### DELIVERED AS STANDARD



Classic control box

### OPTIONAL EXTRAS



Wired, audible and visual alarm box  
Product code: 30521  
Barcode: 3308815084107

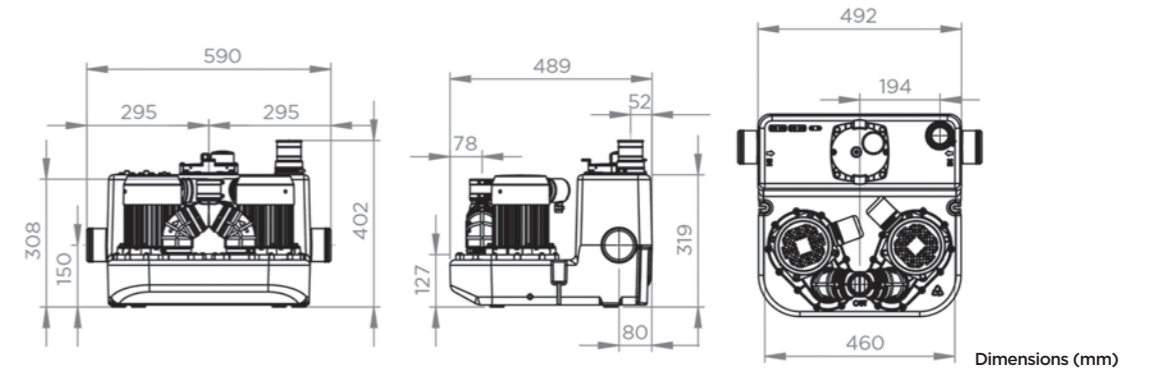


Sanicubic carbon filter  
Product code: 1108  
Barcode: 3308815077529

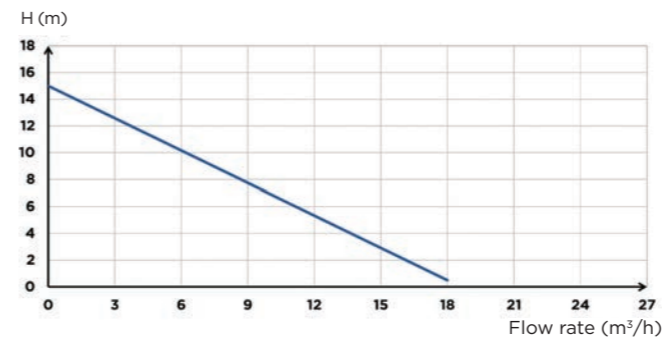
### PACK CONTAINS

Sanicom 2, 2 x non-return valves, connectors, control unit (2 m cable)

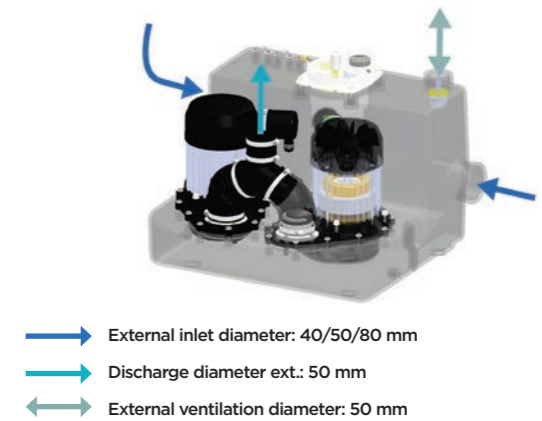
### DIMENSIONS



### CURVE



### CONNECTIONS



	Sanicom 2
Type of control box	Classic
Material	
Tank	PE
Pump housing	PA 12 GF
Motor housing	Aluminium
Impeller	PA 6 GF
Electrical features	
Voltage (V)	230
Frequency (Hz)	50-60
Power consumption P1 (W)	1500
Power output P2 (W)	1050
IP rating	IPX4
Hydraulics	
Max. Head (m)	15
Max. Flow rate (m <sup>3</sup> /h)	18
External inlet diameter (mm)	40/50/80
Discharge diameter ext. (mm)	50
External ventilation diameter (mm)	50
Total volume (L)	34
Useable volume (L)	13
ON level /OFF level (mm)	145/60
Alarm level (mm)	215
Particle size (mm)	8
Max. Temperature of the pumped liquid (5 min max)	90°C
Type of impeller	multi-channel
Type of activation	pneumatic
Identification and logistics	
Gross weight (kg)	25
Barcode	3308815082868
Product code	<b>30004</b>

# Sanicubic 1

## Grey water, black water

The Sanicubic 1 lifting station is designed for use in a single property (house, small commercial premises) and collects all waste water from toilets, bathrooms, kitchens and laundry rooms. The unit uses the Pro X K2 grinding technology and removes waste water through 50 mm diameter discharge pipe.



### PERFORMANCE

- Max. Head: 13 m
- Max. Flow rate: 15 m<sup>3</sup>/h

### PRODUCT FEATURES & BENEFITS

- Floor standing so easy to install
- Easy access for maintenance
- 4 inlets, 2 of which are side inlets
- Less chance of clogging due to Pro X K2 grinder technology
- Discharge in 50 mm ext. pipe
- Maximum temperature of incoming waste water: 70°C (max 5 mins)



Grinder Pro X K2



### DELIVERED AS STANDARD



Remote wired audible and visual alarm unit (5m)

### OPTIONAL EXTRAS



Isolation valve DN50 shut-off valve  
Product code: 1109

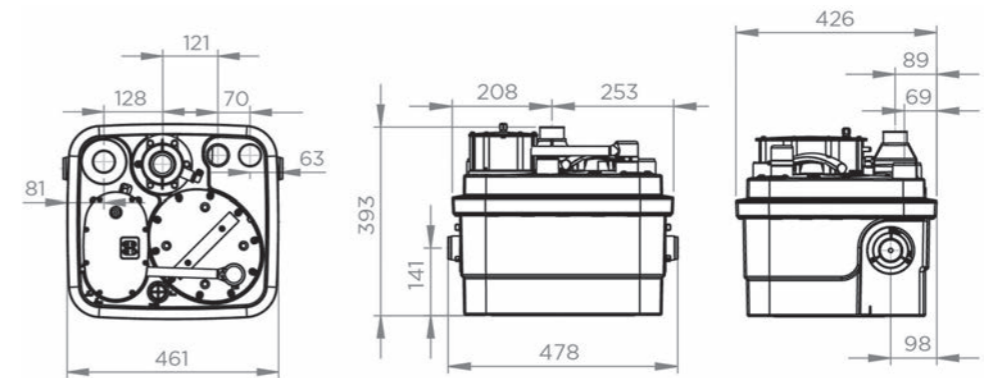


Isolation valve DN100 shut-off valve  
Product code: 1107/1

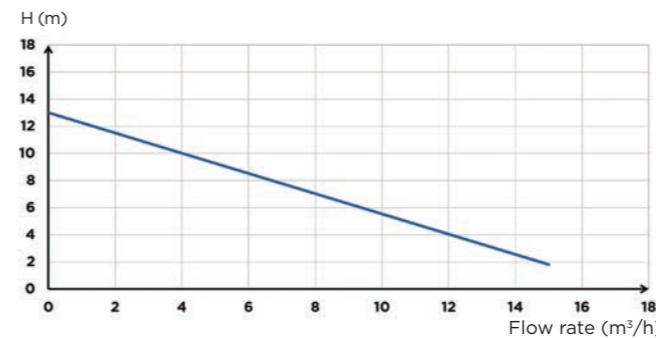


Sanicubic carbon filter  
Product code: 1108  
Barcode: 3308815077529

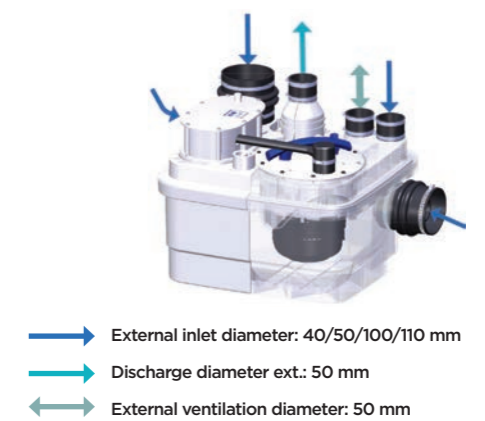
### DIMENSIONS



### CURVE



### CONNECTIONS



	Sanicubic 1
<b>Material</b>	
Tank	PP
Pump housing	PA 12 GF
Motor housing	PA 12 GF
Impeller	PP GF
<b>Electrical features</b>	
Voltage (V)	230
Frequency (Hz)	50-60
Power consumption P1 (W)	1500
Power output P2 (W)	1050
Mode of operation	S3 30 %
IP rating	IP68
<b>Hydraulics</b>	
Max. Head (m)	13
Max. Flow rate (m <sup>3</sup> /h)	15
External inlet diameter (mm)	40/50/100/110
Discharge diameter ext. (mm)	50
External ventilation diameter (mm)	50
Total volume (L)	32
Useable volume (L)	10
ON level /OFF level (mm)	140/70
Alarm level (mm)	210
Max. Temperature of the pumped liquid (5 min max)	70°C
Type of impeller	Pro X K2 grinder
Type of activation	pneumatic
<b>Identification and logistics</b>	
Gross weight (kg)	23
Barcode	3308815074429
Product code	<b>30006</b>



# Sanicubic 2 Classic

## Grey water, black water

The Sanicubic 2 Classic is a two pump station designed for the lifting of waste water from individual houses, small businesses or light commercial premises such as restaurants or pubs. It uses the Pro X K2 macerator technology which removes waste water through a 50 mm diameter discharge pipe. The two pumps work alternately. The 5 inlets, 2 of which are side inlets, allow great flexibility in the installation of sanitaryware.



### PERFORMANCE

- Max. Head: 13 m
- Max. Flow rate: 15 m<sup>3</sup>/h

### PRODUCT FEATURES & BENEFITS

- Easily accessible with removable motors and level sensors for ease of maintenance
- Alternating operation of the 2 pumps
- 5 inlets, 2 of which are side inlets
- Less chance of clogging due to the Pro X K2 grinder technology
- Discharge in 50 mm ext. pipe



Grinder Pro X K2



### DELIVERED AS STANDARD



Remote wired audible and visual alarm unit (5m)



Classic control Box

### OPTIONAL EXTRAS



Isolation valve DN50 shut-off valve  
Product code: 1109

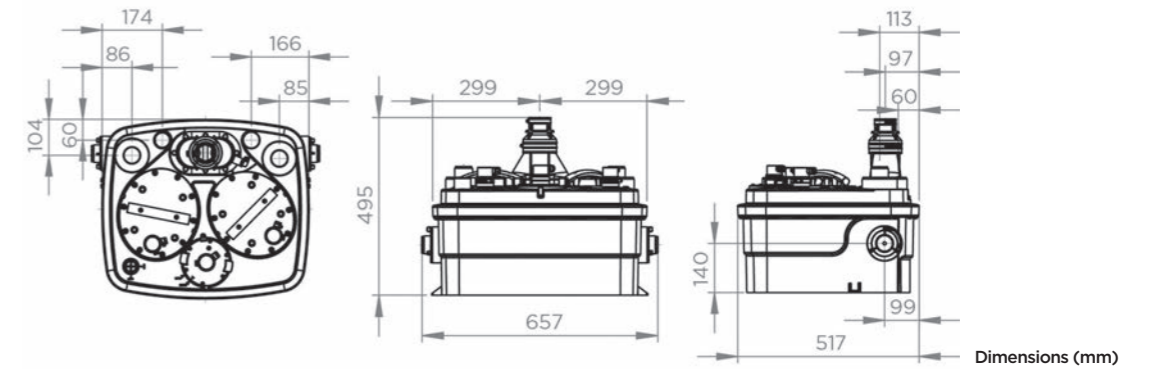


Isolation valve DN100 shut-off valve  
Product code: 1107/1

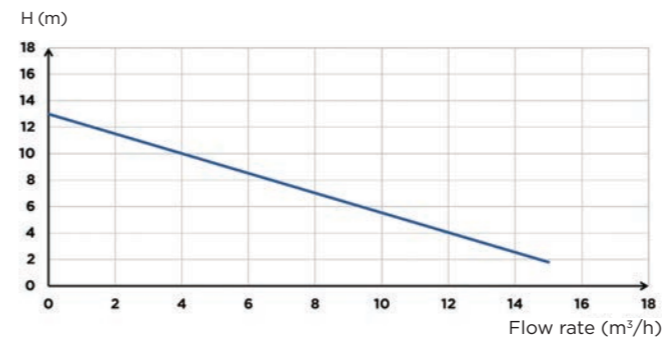


Sanicubic carbon filter  
Product code: 1108  
Barcode: 3308815077529

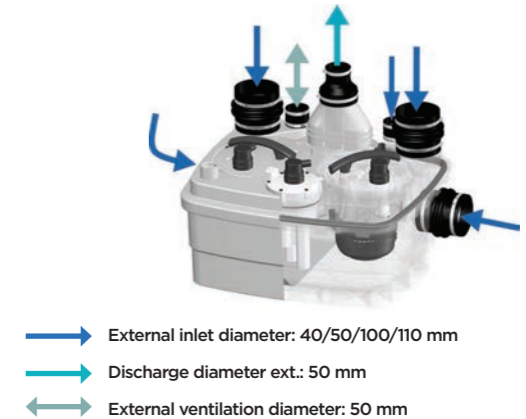
### DIMENSIONS



### CURVE



### CONNECTIONS



	Sanicubic 2 Classic
Type of control box	Classic
Material	
Tank	PP
Pump housing	PA 12 GF
Motor housing	PA 12 GF
Impeller	PP GF
Electrical features	
Voltage (V)	230
Frequency (Hz)	50-60
Power consumption P1 (W)	1500
Power output P2 (W)	1050
Mode of operation	S3 50 %
IP rating	IP68
Hydraulics	
Max. Head (m)	13
Max. Flow rate (m <sup>3</sup> /h)	15
External inlet diameter (mm)	40/50/100/110
Discharge diameter ext. (mm)	50
External ventilation diameter (mm)	50
Total volume (L)	45
Useable volume (L)	17.5
ON level /OFF level (mm)	140/70
Alarm level (mm)	210
Max. Temperature of the pumped liquid (5 min max)	70°C
Type of impeller	Pro X K2 grinder
Type of activation	pneumatic
Identification and logistics	
Gross weight (kg)	35
Barcode	3308815074443
Product code	<b>30013</b>

# Sanicubic 2 Pro

## Grey water, black water

The Sanicubic 2 Pro, 2 Pro Smart and 2 Pro Smart Brushless are two pump stations designed for the lifting of waste water from individual houses, small businesses or light commercial premises such as restaurants or pubs. They use the Pro X K2 macerator technology which removes waste water through a 50 mm diameter discharge pipe. The two pumps work alternately. The 5 inlets, 2 of which are side inlets, allow great flexibility in the installation of sanitaryware.



### PERFORMANCE

- Max. Head: 13 m
- Max. Flow rate: 15 m<sup>3</sup>/h

### PRODUCT FEATURES & BENEFITS

- Easily accessible with removable motors and level sensors for ease of maintenance
- Alternating operation of the 2 pumps
- 5 inlets, 2 of which are side inlets
- Less chance of clogging due to the Pro X K2 grinder technology
- Discharge in 50 mm ext. pipe



Grinder Pro X K2



### DELIVERED AS STANDARD



Remote wired audible and visual alarm unit (5m) for Sanicubic 2 Pro Smart and 2 Pro Smart Brushless



HF alarm for Sanicubic 2 Pro



Classic control box for Sanicubic 2 Pro



SMART control box for Sanicubic 2 Pro Smart and 2 Pro Smart Brushless

### OPTIONAL EXTRAS



Isolation valve DN50 shut-off valve  
Product code: 1109

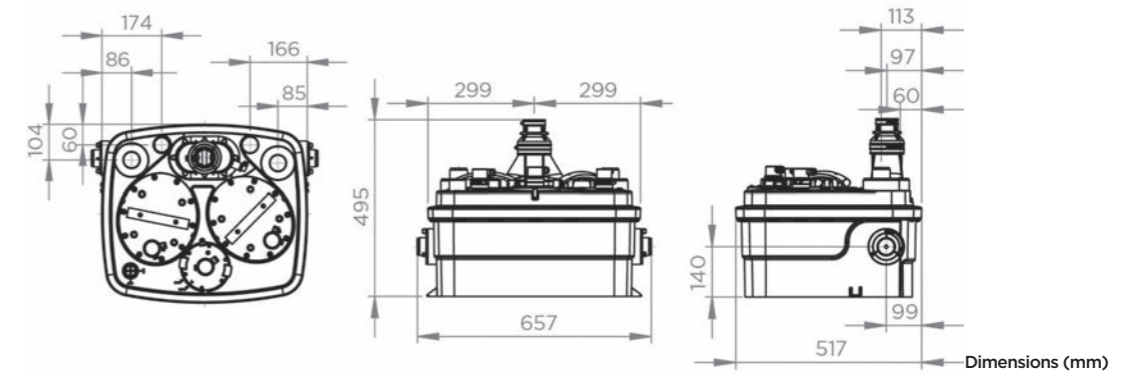


Isolation valve DN100 shut-off valve  
Product code: 1107/1

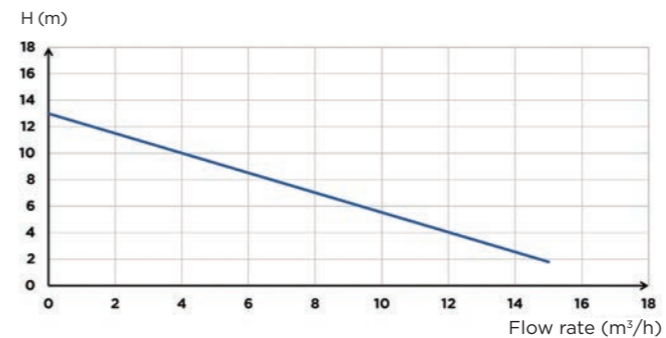


Sanicubic carbon filter  
Product code: 1108  
Barcode: 3308815077529

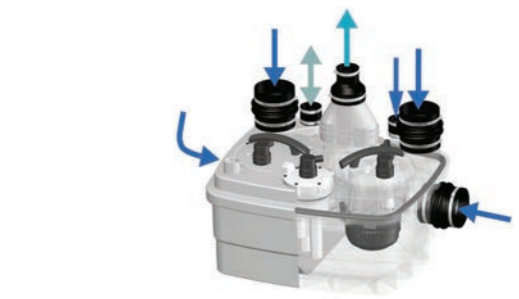
### DIMENSIONS



### CURVE



### CONNECTIONS



- External inlet diameter: 40/50/100/110 mm
- Discharge diameter ext.: 50 mm
- External ventilation diameter: 50 mm

	Sanicubic 2 Pro	Sanicubic 2 Pro Smart	Sanicubic 2 Pro Smart Brushless
Type of control box	Classic	Smart	Smart
Material			
Tank	PP	PP	PP
Pump housing	PA 12 GF	PA 12 GF	PA 12 GF
Motor housing	PA 12 GF	PA 12 GF	PA 12 GF
Impeller	PP GF	PP GF	PP GF
Electrical features			
Voltage (V)	230	230	230
Frequency (Hz)	50-60	50-60	50-60
Power consumption P1 (W)	1500	1500	1500
Power output P2 (W)	1050	1050	1050
Mode of operation	S3 50 %	S3 50 %	S3 50 %
IP rating	IP68	IP68	IP68
Hydraulics			
Max. Head (m)	13	13	13
Max. Flow rate (m <sup>3</sup> /h)	15	15	15
External inlet diameter (mm)	40/50/100/110	40/50/100/110	40/50/100/110
Discharge diameter ext. (mm)	50	50	50
External ventilation diameter (mm)	50	50	50
Total volume (L)	45	45	45
Useable volume (L)	17,5	17,5	17,5
ON level /OFF level (mm)	140/70	140/70	140/70
Alarm level (mm)	210	210	210
Max. Temperature of the pumped liquid (5 min max)	70°C	70°C	70°C
Type of impeller	Pro X K2 grinder	Pro X K2 grinder	Pro X K2 grinder
Type of activation	pneumatic	pneumatic	pneumatic
Identification and logistics			
Gross weight (kg)	35	35	35
Barcode	3308815074450	3308815075457	3308815085166
Product code	<b>30011</b>	<b>30012</b>	<b>20013</b>



# Sanicubic 1 GR

## Grey water, black water

The Sanicubic 1 GR is a station recommended for a single dwelling (house or small commercial premises). It collects all waste water from toilets, bathrooms, kitchens or laundry rooms. It is equipped with a pump with the Pro X K3 grinder system. It has 7 possible inlets to collect all types of waste water in the most demanding of settings. The station comes with a pneumatic control box including an audible and visual alarm.



### PERFORMANCE

- Max. Head: 39 m
- Max. Flow rate: 17 m³/h

DEPENDENT ON MODEL

### PRODUCT FEATURES & BENEFITS

- Easily accessible for maintenance
- Compact dimensions
- 7 inlets
- Grinder Pro X K3 technology
- 5 pump versions in single or three phase
- Integrated connection and non-return valve



Grinder Pro X K3



### DELIVERED AS STANDARD



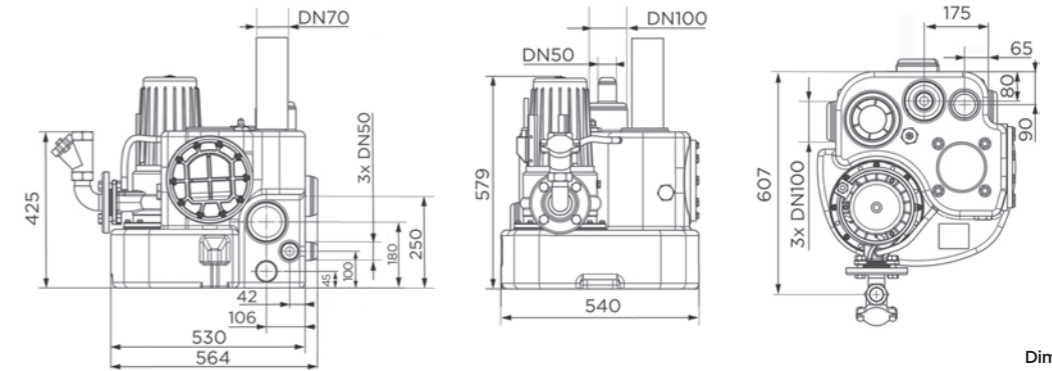
Control boxes ZPS - single pump version

### OPTIONAL EXTRAS



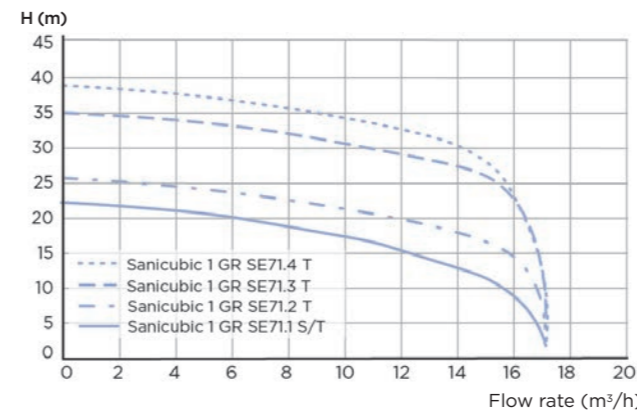
Sanicubic carbon filter  
Product code: 1108  
Barcode: 3308815077529

### DIMENSIONS

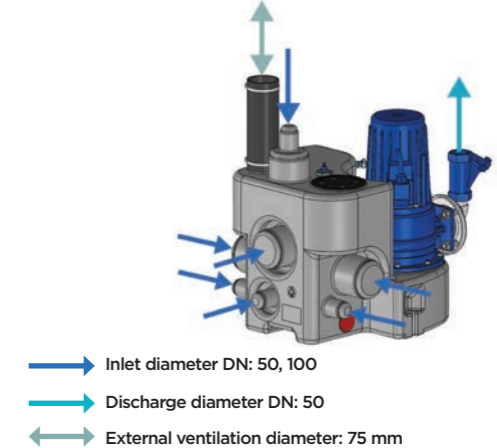


Dimensions (mm)

### CURVE



### CONNECTIONS



	Sanicubic 1 GR SE71.1 S	Sanicubic 1 GR SE71.1 T	Sanicubic 1 GR SE71.2 T	Sanicubic 1 GR SE71.3 T	Sanicubic 1 GR SE71.4 T
Type of control box	ZPS 1 case	ZPS 1 case	ZPS 1 case	ZPS 1 case	ZPS 1 case
<b>Material</b>					
Tank	LDPE	LDPE	LDPE	LDPE	LDPE
Pump housing	GG-20	GG-20	GG-20	GG-20	GG-20
Motor housing	GG-20	GG-20	GG-20	GG-20	GG-20
Impeller	GG-20	GG-20	GG-20	GG-20	GG-20
<b>Electrical features</b>					
Voltage (V)	230	400	400	400	400
Frequency (Hz)	50-60	50-60	50-60	50-60	50-60
Power consumption P1 (W)	2200	2100	2100	3900	3900
Power output P2 (W)	1700	1700	1700	3200	3200
Mode of operation	S3 25%	S3 25%	S3 25%	S3 25%	S3 25%
IP rating	IP68	IP68	IP68	IP68	IP68
<b>Hydraulics</b>					
Max. Head (m)	22	22	25	35	39
Max. Flow rate (m³/h)	17	17	17	17	17
Inlet diameter DN	50, 100	50, 100	50, 100	50, 100	50, 100
Discharge diameter DN	50	50	50	50	50
External ventilation diameter (mm)	75	75	75	75	75
Total volume (L)	55	55	55	55	55
ON level /OFF level (mm)	140-250/30	140-250/30	140-250/30	140-250/30	140-250/30
Alarm level (mm)	180-290	180-290	180-290	180-290	180-290
Max. Temperature of the pumped liquid (5 min max)	55°C	55°C	55°C	55°C	55°C
Type of impeller	Pro X K3 grinder	Pro X K3 grinder	Pro X K3 grinder	Pro X K3 grinder	Pro X K3 grinder
Type of activation	pneumatic	pneumatic	pneumatic	pneumatic	pneumatic
<b>Identification and logistics</b>					
Gross weight (kg)	64	64	64	68	68
Barcode	3308815079110	3308815079127	3308815079134	3308815079141	3308815079158
Product code	21518	21519	21333	21520	21521

S = Single phase, T = Three phase.

# Sanicubic 2 GR

## Grey water, black water

The Sanicubic 2 GR station is designed for the lifting of waste water from larger single dwellings, apartment blocks, and commercial buildings such as train stations, cinemas, restaurants etc. This station is equipped with 2 pumps with Pro X K3 grinder technology, which are activated simultaneously in case of a large water surge. Sanicubic 2 GR is available in 4 versions with different lifting performances. It has 5 inlets of different diameters. The station comes with a pneumatic control box including an audible and visual alarm.



### PERFORMANCE

- Max. Head: 39 m
- Max. Flow rate: 17 m<sup>3</sup>/h

DEPENDING ON MODEL

### PRODUCT FEATURES & BENEFITS

- Floor standing installation
- Easily accessible for maintenance
- 3 inlets DN 100, 2 inlets DN 50
- 150 litre tank
- 4 pump versions in three phase available
- Includes non-return valve and outlet flange



Grinder Pro X K3



### DELIVERED AS STANDARD



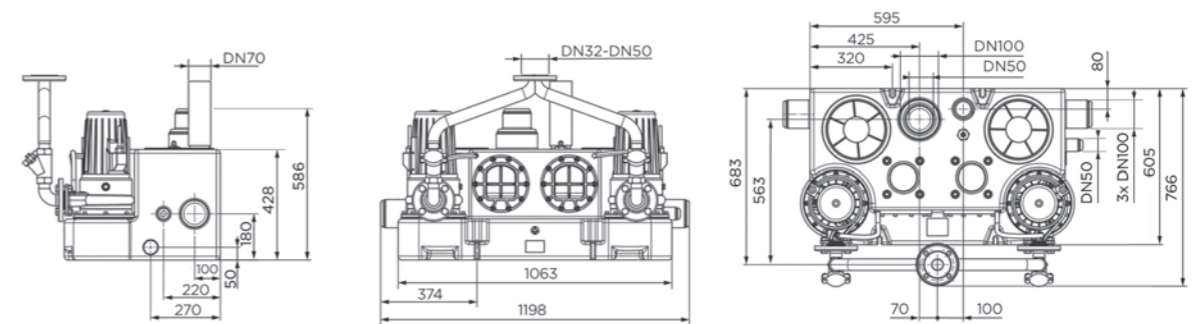
Control boxes ZPS - single pump version

### OPTIONAL EXTRAS



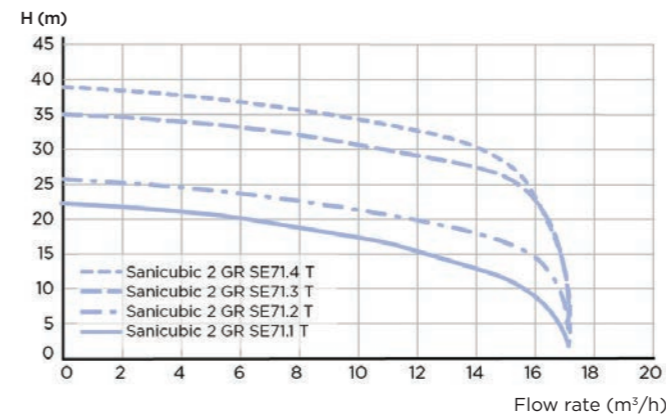
Sanicubic carbon filter  
Product code: 1108  
Barcode: 3308815077529

### DIMENSIONS

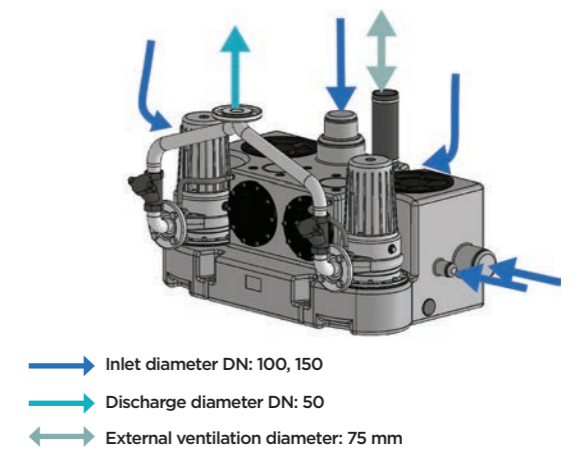


Dimensions (mm)

### CURVE



### CONNECTIONS



	Sanicubic 2 GR SE71.1 T	Sanicubic 2 GR SE71.2 T	Sanicubic 2 GR SE71.3 T	Sanicubic 2 GR SE71.4 T
Type of control box	ZPS 2 case	ZPS 2 case	ZPS 2 case	ZPS 2 case
<b>Material</b>				
Tank	LDPE	LDPE	LDPE	LDPE
Pump housing	GG-20	GG-20	GG-20	GG-20
Motor housing	GG-20	GG-20	GG-20	GG-20
Impeller	GG-20	GG-20	GG-20	GG-20
<b>Electrical features</b>				
Voltage (V)	400	400	400	400
Frequency (Hz)	50-60	50-60	50-60	50-60
Power consumption P1 (W)	2100	2100	3900	3900
Power output P2 (W)	1700	1700	3200	3200
Mode of operation	S3 25%	S3 25%	S3 25%	S3 25%
IP rating	IP68	IP68	IP68	IP68
<b>Hydraulics</b>				
Max. Head (m)	22	25	35	39
Max. Flow rate (m <sup>3</sup> /h)	17	17	17	17
Inlet diameter DN	100, 150	100, 150	100, 150	100, 150
Discharge diameter DN	50	50	50	50
External ventilation diameter (mm)	75	75	75	75
Total volume (L)	150	150	150	150
ON level /OFF level (mm)	140-250/30	140-250/30	140-250/30	140-250/30
Alarm level (mm)	180-290	180-290	180-290	180-290
Max. Temperature of the pumped liquid (5 min max)	55°C	55°C	55°C	55°C
Type of impeller	Pro X K3 grinder	Pro X K3 grinder	Pro X K3 grinder	Pro X K3 grinder
Type of activation	pneumatic	pneumatic	pneumatic	pneumatic
<b>Identification and logistics</b>				
Gross weight (kg)	137	137	144	144
Barcode	3308815079165	3308815079172	3308815079189	3308815079196
Product code	<b>21522</b>	<b>21523</b>	<b>21524</b>	<b>21334</b>



# Sanicubic 1 GR HP

## Grey water, black water

The Sanicubic 1 GR HP high-performance lifting station is designed for pumping black water from individual houses, flats, pool houses or small businesses. The automatic control is pneumatic through an internal immersion pipe. A wired control unit and an alarm system are included.



### PERFORMANCE

- Max. Head: 18 m
- Max. Flow rate: 17 m<sup>3</sup>/h

### PRODUCT FEATURES & BENEFITS

- Floor standing for easy installation
- Easy access to the pressure switch and motor for maintenance
- Pro XK2 stainless steel grinder technology
- Can handle water temperatures up to 90°C (max 5 mins)
- 2 side inlets DN 100 mm
- Non-return valve included
- Control box and alarm included



Grinder Pro X K2



### DELIVERED AS STANDARD



Remote wired audible and visual alarm unit (5m)



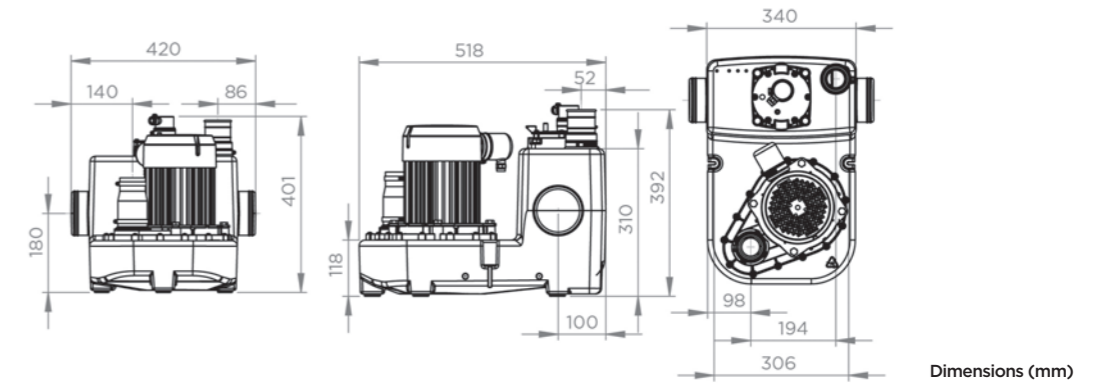
Classic control box

### OPTIONAL EXTRAS

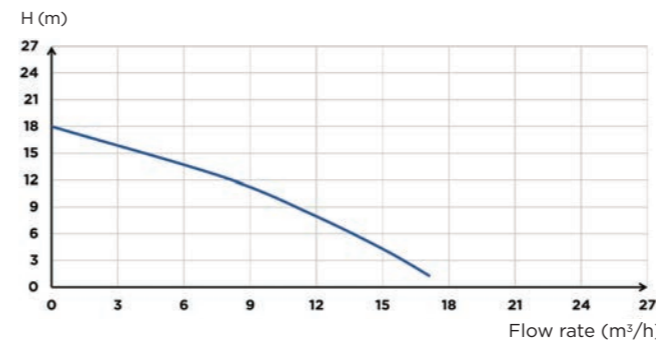


Sanicubic carbon filter  
Product code: 1108  
Barcode: 3308815077529

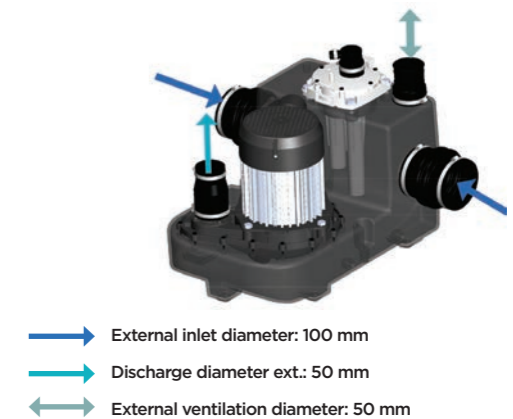
### DIMENSIONS



### CURVE



### CONNECTIONS



	Sanicubic 1 GR HP
Type of control box	Classic
Material	
Tank	HDPE
Pump housing	PA 12 GF
Motor housing	Aluminium
Impeller	PP GF
Electrical features	
Voltage (V)	230
Frequency (Hz)	50-60
Power consumption P1 (W)	2000
Power output P2 (W)	1400
Mode of operation	S3 30 %
IP rating	IPX8
Hydraulics	
Max. Head (m)	18
Max. Flow rate (m <sup>3</sup> /h)	17
External inlet diameter (mm)	100
Discharge diameter ext. (mm)	50
External ventilation diameter (mm)	50
Total volume (L)	26
Useable volume (L)	12
ON level /OFF level (mm)	155/60
Alarm level (mm)	225
Max. Temperature of the pumped liquid (5 min max)	90°C
Type of impeller	Pro X K2 grinder
Type of activation	Pneumatic
Identification and logistics	
Gross weight (kg)	35
Barcode	3308815089614
Product code	<b>30016</b>

# Sanicubic 2 GR HP

## Grey water, black water

The Sanicubic 2 GR HP is a floor-mounted twin-motor high-performance lifting station for removing black water from individual homes or flats, small commercial businesses, shops or the catering trade. Both motors work alternately, which increases reliability and longevity. In the event of a large intake of water, both pumps can be activated simultaneously. The lifting station is equipped with a dip tube that controls the motor and the alarm system. The Sanicubic 2 GR HP comes with a wired control box and an alarm box. An interactive Smart control box is available as an option.



### PERFORMANCE

- Max. Head: 18 m
- Max. Flow rate: 17 m³/h

### PRODUCT FEATURES & BENEFITS

- Floor standing for ease of installation
- Easy access to the pressure switch and motor for maintenance
- Pro XK2 stainless steel grinder technology
- Can handle temperatures up to 90°C (max 5 mins)
- 2 side inlets DN 100 mm
- Non-return valve included
- Control box and alarm box included
- 2 independent motors ensure a failsafe, continuous operation



Grinder Pro X K2



### DELIVERED AS STANDARD



Remote wired audible and visual alarm unit (5m)



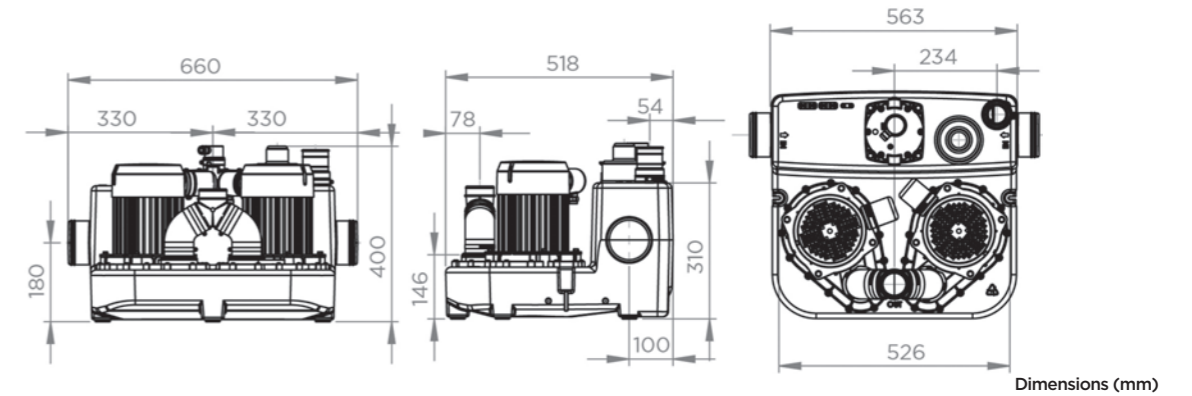
Classic control box

### OPTIONAL EXTRAS

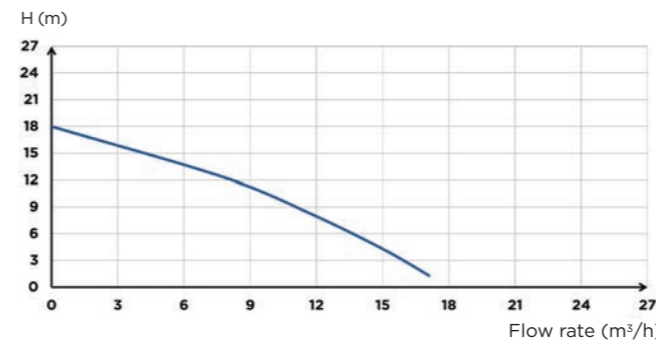


Sanicubic carbon filter  
Product code: 1108  
Barcode: 3308815077529

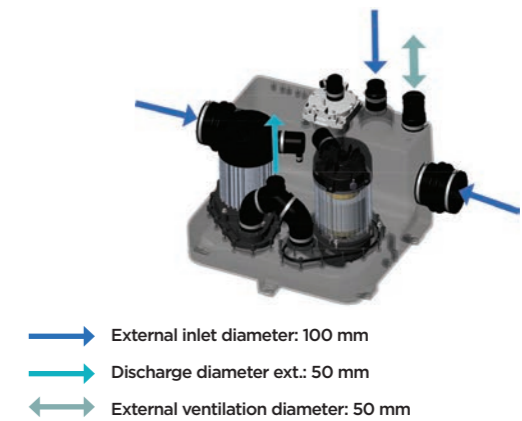
### DIMENSIONS



### CURVE



### CONNECTIONS



	Sanicubic 2 GR HP
Type of control box	Classic
Material	
Tank	HDPE
Pump housing	PA 12 GF
Motor housing	Aluminium
Impeller	PP GF
Electrical features	
Voltage (V)	230
Frequency (Hz)	50-60
Power consumption P1 (W)	2000
Power output P2 (W)	1400
Mode of operation	S3 50 %
IP rating	IPX8
Hydraulics	
Max. Head (m)	18
Max. Flow rate (m³/h)	17
External inlet diameter (mm)	100
Discharge diameter ext. (mm)	50
External ventilation diameter (mm)	50
Total volume (L)	39
Useable volume (L)	15
ON level /OFF level (mm)	155/60
Alarm level (mm)	225
Max. Temperature of the pumped liquid (5 min max)	90°C
Type of impeller	Pro X K2 grinder
Type of activation	pneumatic
Identification and logistics	
Gross weight (kg)	45
Barcode	3308815090122
Product code	<b>30017</b>



# Sanicubic 1 VX

## Grey water, black water

The Sanicubic 1 VX is a lifting station with 1 vortex pump. It is designed for lifting waste water from houses or small commercial premises. The Sanicubic 1 VX has direct and safe access to the motor and level sensors. The lifting station comes with a classic control box and a wired alarm.

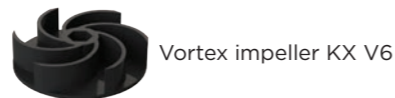


### PERFORMANCE

- Max. Head: 13.5 m
- Max. Flow rate: 40 m<sup>3</sup>/h

### PRODUCT FEATURES & BENEFITS

- Floor standing for easy installation
- Easy access for maintenance
- 3 inlets
- Vortex technology
- Direct and safe access to the motor
- Comes with classic control box
- Comes with wired alarm



### DELIVERED AS STANDARD



Remote wired audible and visual alarm unit (5m)



Classic control box

### OPTIONAL EXTRAS



Isolation valve DN50 shut-off valve  
Product code: 1109

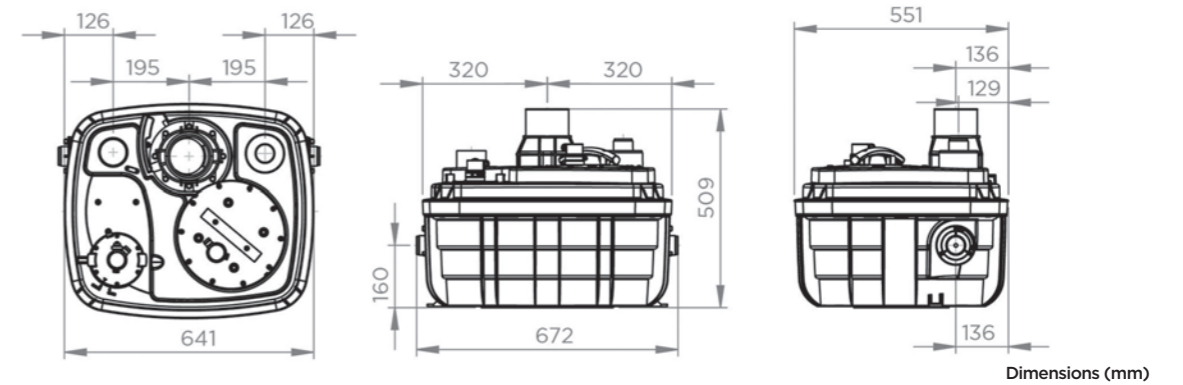


Isolation valve DN100 shut-off valve  
Product code: 1107/1

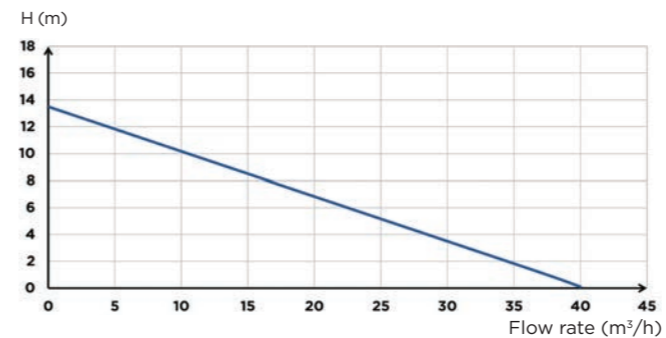


Sanicubic XL carbon filter  
Product code: 1108/1  
Barcode: 3308815076874

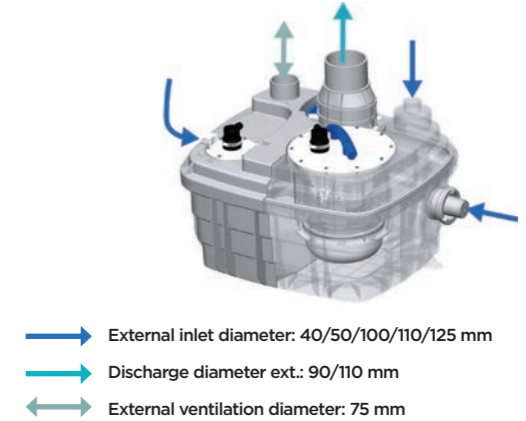
### DIMENSIONS



### CURVE



### CONNECTIONS



	Sanicubic 1 VX
Type of control box	Classic
Material	
Tank	PP GF
Pump housing	PA 12 GF
Motor housing	PA 12 GF
Impeller	PPO GF
Electrical features	
Voltage (V)	230
Frequency (Hz)	50-60
Power consumption P1 (W)	2000
Power output P2 (W)	1400
Mode of operation	S3 15 %
IP rating	IP68
Hydraulics	
Max. Head (m)	13.5
Max. Flow rate (m <sup>3</sup> /h)	40
External inlet diameter (mm)	40/50/100/110/125
Discharge diameter ext. (mm)	90/110
External ventilation diameter (mm)	75
Total volume (L)	60
Useable volume (L)	21
ON level /OFF level (mm)	165/95
Alarm level (mm)	235
Particle size (mm)	50
Max. Temperature of the pumped liquid (5 min max)	70°C
Type of impeller	vortex
Type of activation	pneumatic
Identification and logistics	
Gross weight (kg)	30
Barcode	3308815077611
Product code	30005

# Sanicubic 2 VX

## Grey water, black water

The Sanicubic 2 VX lifting station is designed for lifting waste water from shops, private homes and public buildings. It comes with two vortex pumps leaving a free passage of 50 mm. The 5 inlets allow the connection of several items of sanitaryware or kitchen appliances. Sanicubic 2 VX is available in single-phase or three-phase. The lifting station comes with a remote control box and alarm or with the smart control box and alarm.



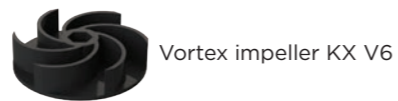
### PERFORMANCE

- Max. Head: 16 m
- Max. Flow rate: 55 m<sup>3</sup>/h

DEPENDING ON MODEL

### PRODUCT FEATURES & BENEFITS

- Floor standing for easy installation
- Easily accessible for maintenance
- 5 inlets, 2 of which are side inlets
- 2 vortex motors
- Single phase or three phase
- Alternating motor operation



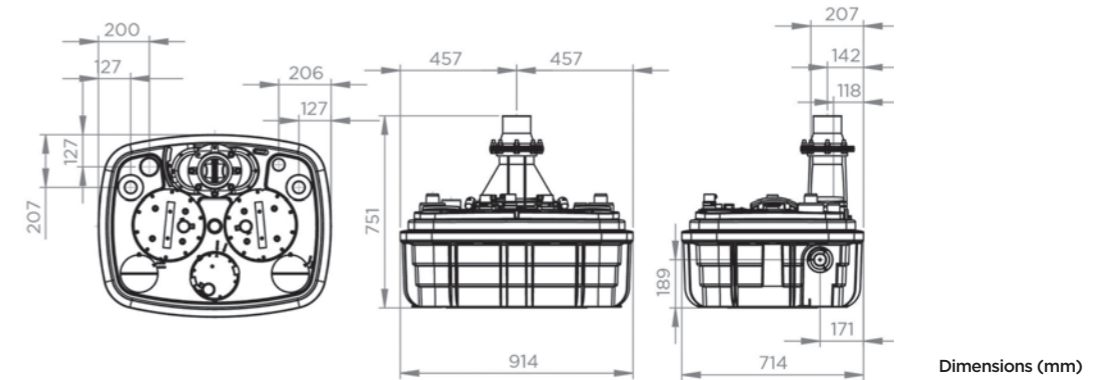
### DELIVERED AS STANDARD (Depending on model chosen)



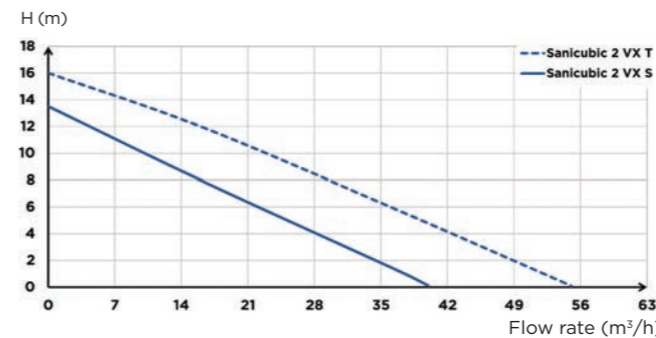
### OPTIONAL EXTRAS



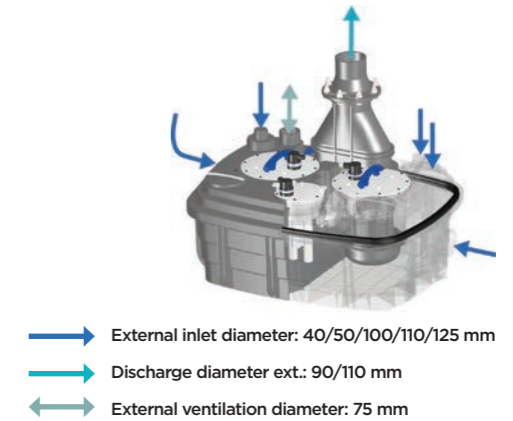
### DIMENSIONS



### CURVE



### CONNECTIONS



	Sanicubic 2 VX S	Sanicubic 2 VX S Smart	Sanicubic 2 VX T	Sanicubic 2 VX T Smart
Type of control box	Classic	Smart	Classic	Smart
Material				
Tank	PP GF	PP GF	PP GF	PP GF
Pump housing	PA 12 GF	PA 12 GF	PA 12 GF	PA 12 GF
Motor housing	PA 12 GF	PA 12 GF	PA 12 GF	PA 12 GF
Impeller	PPO GF	PPO GF	PPA GF	PPA GF
Electrical features				
Voltage (V)	230	230	400	400
Frequency (Hz)	50-60	50-60	50-60	50-60
Power consumption P1 (W)	2000	2000	3500	3500
Power output P2 (W)	1400	1400	2800	2800
Mode of operation	S3 30%	S3 30%	S3 15 %	S3 15%
IP rating	IP68	IP68	IP68	IP68
Hydraulics				
Max. Head (m)	13	13	16	16
Max. Flow rate (m <sup>3</sup> /h)	40	40	55	55
External inlet diameter (mm)	40/50/100/110/125	40/50/100/110/125	40/50/100/110/125	40/50/100/110/125
External discharge diameter (mm)	90/110	90/110	90/110	90/110
External ventilation diameter (mm)	75	75	75	75
Total volume (L)	120	120	120	120
Useable volume (L)	26	26	26	26
ON level /OFF level (mm)	165/95	165/95	165/95	165/95
Alarm level (mm)	235	235	235	235
Particle size (mm)	50	50	50	50
Max. Temperature of the pumped liquid (5 min max)	70°C	70°C	70°C	70°C
Type of impeller	vortex	vortex	vortex	vortex
Type of activation	pneumatic	pneumatic	pneumatic	pneumatic
Identification and logistics				
Gross weight (kg)	101	101	102	102
Barcode	3308815063140	3308815076171	3308815074689	3308815076188
Product code	<b>30007</b>	<b>30008</b>	<b>30009</b>	<b>30010</b>



# Sanicubic 1 SC

## Grey water, black water

The Sanicubic 1 SC is a lifting station with 1 three-phase cast iron pump with a single-channel impeller. Designed for lifting waste water from public buildings or shopping centres, this station is available in 4 pump versions. It comes with a pneumatic remote control box including an audible and visual alarm.



### PERFORMANCE

- Max. Head: 22 m
- Max. Flow rate: 165 m<sup>3</sup>/h

DEPENDING ON MODEL

### PRODUCT FEATURES & BENEFITS

- Floor standing for easy installation
- Easily accessible for maintenance
- 1 inlet DN150
- Three-phase cast iron pump
- Free passage 80 mm or 100 mm
- Control panel included (ZPS or PS2)
- Star-delta start for Sanicubic 1 SC7.5T
- Customisation possible (tank volume and inlets) for bespoke installation



Single channel impeller



### DELIVERED AS STANDARD



Control boxes ZPS – single pump version



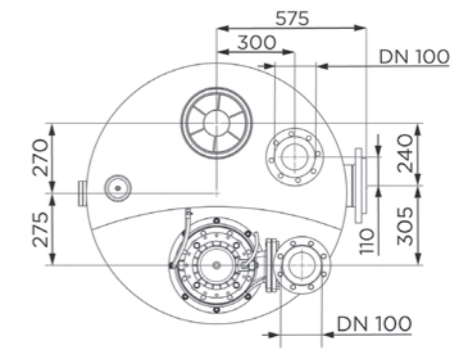
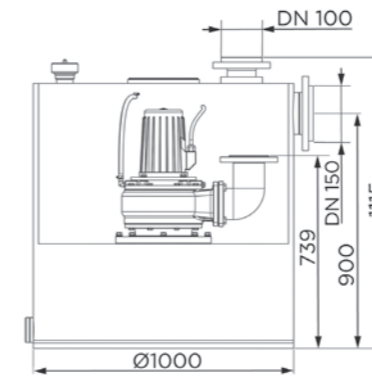
PS2 control box

### OPTIONAL EXTRAS



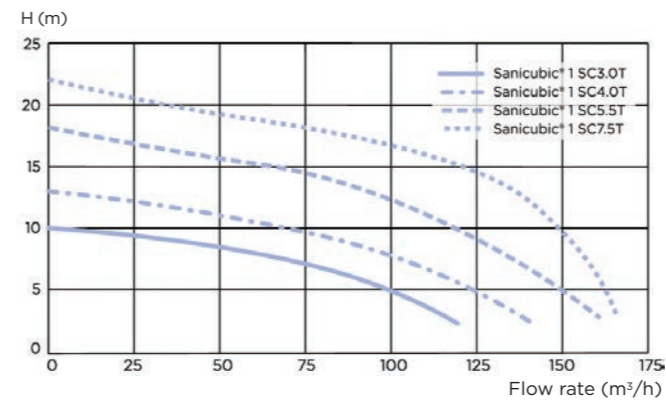
Sanicubic XL carbon filter  
Product code: 1108/1  
Barcode: 3308815076874

### DIMENSIONS

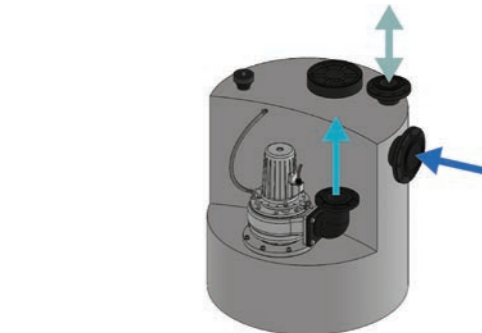


Dimensions (mm)

### CURVE



### CONNECTIONS



- Inlet diameter DN: 150
- Discharge diameter DN: 100
- Ventilation diameter DN: 100

	Sanicubic 1 SC3.0 T	Sanicubic 1 SC4.0 T	Sanicubic 1 SC5.5 T	Sanicubic 1 SC7.5 T
Type or control box	ZPS 1	ZPS 1	ZPS 1	PS2
<b>Material</b>				
Tank	HDPE	HDPE	HDPE	HDPE
Pump housing	GG-20	GG-20	GG-20	GG-20
Motor housing	GG-20	GG-20	GG-20	GG-20
Impeller	GG-20	GG-20	GG-20	GG-20
<b>Electrical features</b>				
Voltage (V)	400	400	400	400
Frequency (Hz)	50-60	50-60	50-60	50-60
Power consumption P1 (W)	4000	5500	6300	8700
Power output P2 (W)	3000	4000	5500	7500
Mode of operation	S3 25%	S3 25%	S3 25%	S3 25%
IP rating	IP68	IP68	IP68	IP68
<b>Hydraulics</b>				
Max. Head (m)	10	13	18	22
Max. Flow rate (m <sup>3</sup> /h)	120	140	160	165
Inlet diameter DN	150	150	150	150
Discharge diameter DN	100	100	100	100
Ventilation diameter DN	100	100	100	100
Total volume (L)	480	480	480	480
Useable volume (L)	270	270	270	270
Particle size (mm)	80	80	100	100
Max. Temperature of the pumped liquid (5 min max)	55°C	55°C	55°C	55°C
Type of impeller	single-channel	single-channel	single-channel	single-channel
Type of activation	pneumatic	pneumatic	pneumatic	pneumatic
<b>Identification and logistics</b>				
Gross weight (kg)	210	220	225	240
Barcode	3308815079035	3308815079042	3308815079059	3308815079066
Product code	21512	21328	21513	21514

# Sanicubic 2 SC

## Grey water, black water

The Sanicubic 2 SC is a floor standing lifting station with 2 single-channel impeller pumps. Sanicubic 2 SC is available in 4 versions. It has a DN 150 inlet for lifting large volumes of waste water from public buildings or blocks of flats.

It is delivered with a pneumatically controlled remote control box (ZPS) including an audible and visual alarm. The Sanicubic 2 SC7.5T version is supplied with a PS2 control box integrated in an electrical cabinet.



### PERFORMANCE

- Max. Head: 22 m
- Max. Flow rate: 165 m<sup>3</sup>/h

DEPENDING ON MODEL

### PRODUCT FEATURES & BENEFITS

- Two three-phase pumps
- 1 inlet DN150
- 4 versions available
- 1000 litre tank
- Free passage 80 mm or 100 mm
- Control panel included (ZPS or PS2)
- Star-delta start for the Sanicubic 2 SC7.5T
- Tank customisation on request (tank volume up to 20000 L and number of inlets)
- Optional mounting accessories available - see accessories page



Single channel impeller



### DELIVERED AS STANDARD

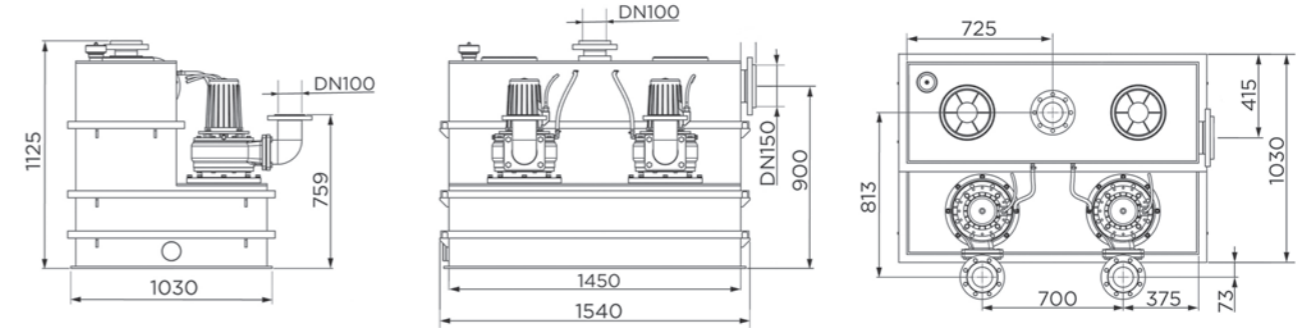


ZPS control boxes - two-pump versions



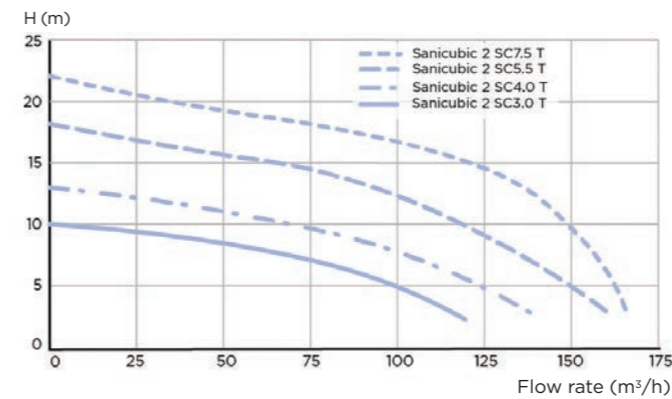
PS2 control box

### DIMENSIONS

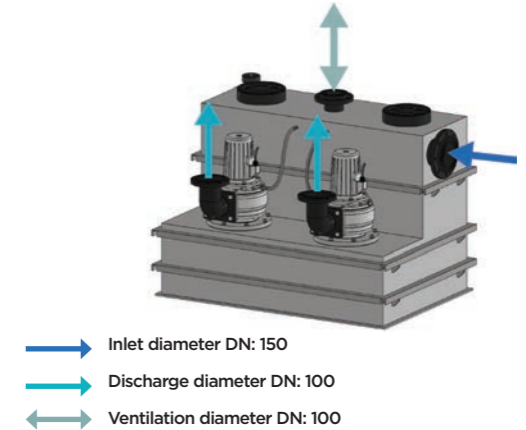


Dimensions (mm)

### CURVE



### CONNECTIONS



	Sanicubic 2 SC3.0 T	Sanicubic 2 SC4.0 T	Sanicubic 2 SC5.5 T	Sanicubic 2 SC7.5 T
Type of control box	ZPS 2	ZPS 2	ZPS 2	PS2
Material				
Tank	HDPE	HDPE	HDPE	HDPE
Pump housing	GG-20	GG-20	GG-20	GG-20
Motor housing	GG-20	GG-20	GG-20	GG-20
Impeller	GG-20	GG-20	GG-20	GG-20
Electrical features				
Voltage (V)	400	400	400	400
Frequency (Hz)	50-60	50-60	50-60	50-60
Power consumption P1 (W)	4000	5500	6300	8700
Power output P2 (W)	3000	4000	5500	7500
Mode of operation	S3 25%	S3 25%	S3 25%	S3 25%
IP rating	IP68	IP68	IP68	IP68
Hydraulics				
Max. Head (m)	10	13	18	22
Max. Flow rate (m <sup>3</sup> /h)	120	140	160	165
Inlet diameter DN	150	150	150	150
Discharge diameter DN	100	100	100	100
Ventilation diameter DN	100	100	100	100
Total volume (L)	1000	1000	1000	1000
Useable volume (L)	500	500	500	500
Particle size (mm)	80	80	100	100
Max. Temperature of the pumped liquid (5 min max)	55°C	55°C	55°C	55°C
Type of impeller	single-channel	single-channel	single-channel	single-channel
Type of activation	pneumatic	pneumatic	pneumatic	pneumatic
Identification and logistics				
Gross weight (kg)	370	385	400	425
Barcode	3308815079073	3308815079080	3308815079097	3308815079103
Product code	21515	21516	21517	21329



# INSTALLATION TIPS

for your **Sanifos**  
underground lifting station

All our devices meet EN 12050-1 standard and must be installed according to EN 12056-4 and EN 752 standards.

## SOIL TYPES

- **Nature of soil:** the characteristics of soil (its chemical composition, its pH, its permeability, etc.) will determine the most suitable type of station.
- **Frost-free zone:** in the event of frost, there is a risk of damage to both the pipework and the pump. It is important to take this into account when choosing your station. When the lifting station is installed in an environment where temperatures are below zero, it must be insulated in accordance with local recommendations.

The extensions for Sanifos allows the Sanifos to be buried deeper.

SANIFOS LIFTING STATIONS CAN ALSO BE INSTALLED INSIDE A BUILDING, PLACED ON THE GROUND.

## LOCATION

- **Pipe gradient:** for optimal drainage, it is necessary to include a slope of 2 to 4% in the pipework to the unit but there are no restrictions in the distance between the home and the Sanifos unit.

Thanks to pipe inlets from 182 mm to 2940 mm (with extension), Sanifos lifting stations can be installed at various distances from the property with the required gradient.

- **Passage:** remember to take into account the layout of your land such as vehicle access, parking etc.

Our Sanifos lids are available in class A15, B125, D400 complying with standard NF EN 124

## VENTILATION

It is essential to install ventilation in the upper part of the station to:

- evacuate the gases that form inside the tank and prevent any risk of explosion
- avoid depressurising the station

To do this, all our Sanifos lifting stations have 2 ventilation openings.

For any specific technical information,  
refer to the installation instructions,  
or seek advice from our technical team:  
[technical@saniflo.co.uk](mailto:technical@saniflo.co.uk)

## >> Our range of underground lifting stations

Product name	Pump	Product	Grey water	Black water	Rain water	Water after treatment	Head (m)	Flow rate (m <sup>3</sup> /h)
<b>Sanifos 110</b> Tank volume 110 l See page 58	Sanisub ZPK 40 AV		✓		✓		10	14
<b>Sanifos 110</b> Tank volume 110 l See page 60	Sanipump GR		✓	✓			14	15
<b>Sanifos 280</b> Tank volume 280 l See page 62	Sanisub ZPK 40 A		✓		✓		10	13
	Sanisub Steel			✓	✓	7	9	
<b>Sanifos 280</b> Tank volume 280 l See page 64	Sanipump GR		✓	✓			14	15
	Sanipump VX		✓	✓		13	26	
<b>Sanifos 610</b> Tank volume 610 l See page 66	Sanipump SLD		✓		✓		14	35
<b>Sanifos 610</b> Tank volume 610 l See page 68	Sanipump GR		✓	✓			14	15
	Sanipump VX		✓	✓		17	29	
<b>Sanifos 1300</b> Tank volume 1300 l See pages 70	Sanisub Steel				✓	✓	7	8
	Sanipump GR		✓	✓		14	16	
<b>Sanifos 1300</b> Tank volume 1300 l See page 72	Sanipump VX		✓	✓			17	32
	Sanipump ZPG 71		✓		✓		Made to measure options see page 72	
<b>Sanifos 1600</b>	Sanipump ZFS 71	✓	✓					
<b>Sanifos 2100</b> <b>Sanifos 3100</b> See page 74	Sanipump VX 50		✓	✓	✓			





# INSTALLATION OF **Sanifos** UNDERGROUND STATIONS

---

## Rain water



## Black water

**Sanifos: Reliable,  
flexible and neat solutions**



The Sanifos comes as a complete unit and has seven tank volumes available in high strength moulded polyethylene.

It comes with pre-assembled pipework to make installation easier. Once installed and below ground, just the cover is visible.





# Example of installing an underground station



## 40 APARTMENT BUILDING

Bathrooms and Kitchens

### CHALLENGE

? To lift the waste water from the bathrooms on the first and second basement levels, as well as the bathrooms and kitchen area on the ground floor, which are located below the sewer level.

### SOLUTION

✓ A Sanifos 2100 lifting station with its two grinder pumps ZFS 71 has been installed to connect to the main drainage located at street level.



# SANIFLO INNOVATION: RADAR TECHNOLOGY

Sanifos 610 (rainwater and wastewater) and 1300 (wastewater) dual-pump systems



Available on the Sanifos 610 (rainwater and wastewater) and 1300 (wastewater) with the Smart casing.



This radar system is an ingenious detection device. It operates with electromagnetic waves that travel at nearly 300,000 kilometres per second, allowing it to measure the water level with great precision (within 2mm). Equip your lifting station with our new integrated radar detection system, ensuring efficiency, reliability, and peace of mind.



Radar Detection System



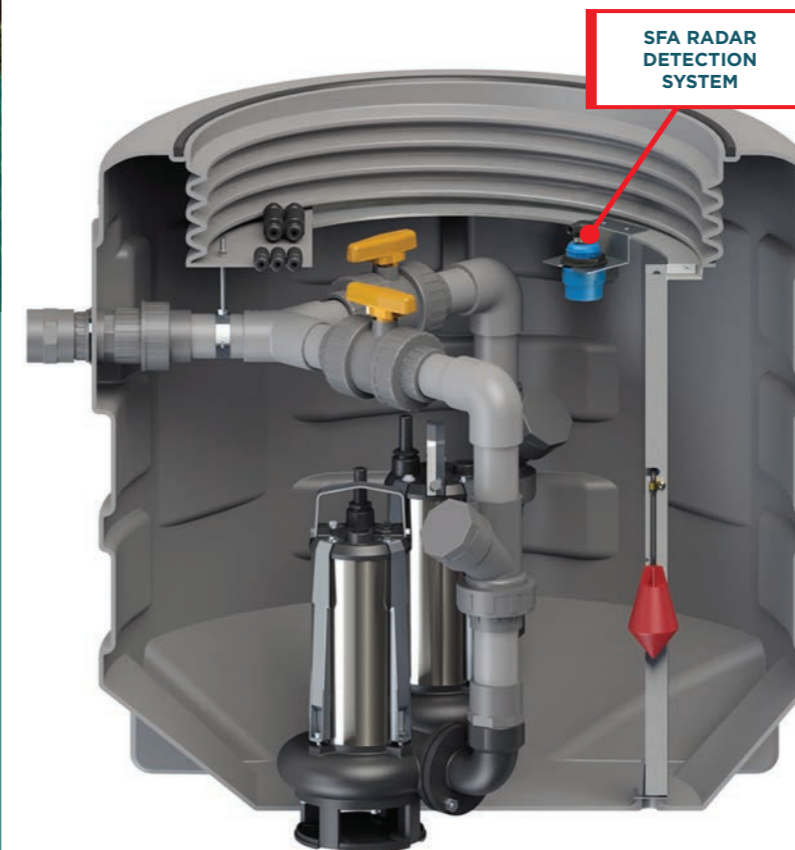
Highly accurate measurement level (2mm)



Ease of installation and maintenance



No direct contact with water



### Product codes:

Sanifos 610 2 GR SP S RD	Sanifos 610 2 VX SP S RD	Sanifos 610 2 VX SP T RD
3308815096193	3308815096209	3308815096216
<b>51000</b>	<b>51001</b>	<b>51002</b>

Sanifos 610 2 SLD 700 S RD	Sanifos 610 2 SLD 700 T RD
3308815096223	3308815096230
<b>51003</b>	<b>51004</b>

Sanifos 1300 2 GR SP S RD	Sanifos 1300 2 VX SP S RD	Sanifos 1300 2 VX SP T RD
3308815096254	3308815096261	3308815096278
<b>51005</b>	<b>51006</b>	<b>51007</b>



# Sanifos 110

## Grey water

The Sanifos 110 is a grey water compact lifting station designed to lift grey water from an individual house or extension: sink, washing machine etc. It can be used for garden rooms or offices that needs grey water removing. The pump uses the closed impeller technology. It is operated by a float switch for autonomous operation and can handle water up to 90°C. Sanifos 110 comes with pre-mounted pipework and a cable gland for the motor cable outlet and the bottom of the tank is self-cleaning. Its 4 inlets of different diameters allow for flexible installation.



### PERFORMANCE

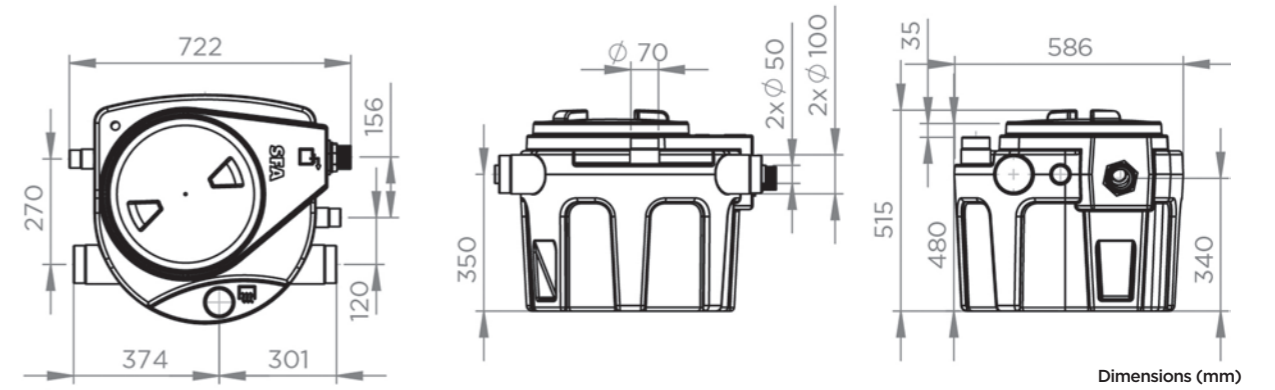
- Max. Head: 10 m
- Max. Flow rate: 14 m<sup>3</sup>/h

### PRODUCT FEATURES & BENEFITS

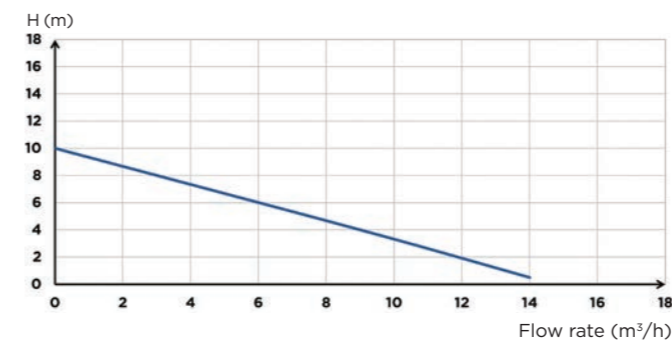
- Complete solution
- Easy installation: pre-assembled elements
- Closed impeller
- 4 inlets
- Easy access to the pump with screw-on pedestrian cover
- Automatic pump operation
- Optional complete discharge kit available



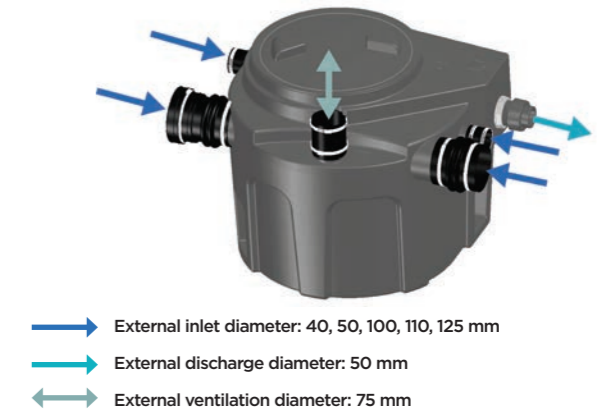
### DIMENSIONS



### CURVE



### CONNECTIONS



### DELIVERED AS STANDARD



- Tank with pre-assembled hydraulic and sealing gasket, Sanisub ZPK 40 AV pump, PVC pipe, pedestrian cover



### OPTIONAL EXTRAS (SEE ACCESSORIES PAGES)



Sanifos 110 evacuation kit  
Barcode: 3308815077024  
Product code: 40500



Isolation valve  
DN100 shut-off valve  
Product code: 1107

	Sanifos 110 ZPK 40 AV
Number of pumps	1
Material	
Tank	PE
Pipework	PVC
Electrical features	
See electrical features for pump on page 91	
Hydraulics	
Max. Head (m)	10
Max. Flow rate (m <sup>3</sup> /h)	14
External inlet diameter (mm)	40, 50, 100, 110, 125
External discharge diameter (mm)	50
External ventilation diameter (mm)	75
Total volume (L)	110
Useable volume (L)	38
ON level /OFF level (mm)	240/100
Min. incoming water connection (mm)	182
Type of impeller	Closed impeller
Type of activation	float
Identification and logistics	
Gross weight (kg)	33.6
Barcode	3308815085951
Product code	31001



# Sanifos 110

## Grey water, black water

The Sanifos 110 is a compact lifting station designed to lift waste water from an individual house: WC, sink, washing machine etc. This makes it an ideal unit for a garden room or home office which has a WC. Equipped with a grinder pump, it is operated by a float switch for automatic operation. Sanifos 110 comes with pre-mounted pipework and a cable gland for the motor cable outlet and the bottom of the tank is self-cleaning. Its 4 inlets of different diameters allow for flexible installation.



### PERFORMANCE

- Max. Head: 14 m
- Max. Flow rate: 15 m<sup>3</sup>/h

### PRODUCT FEATURES & BENEFITS

- Complete solution
- Easy installation: pre-assembled elements
- Pro X K2 grinder system
- 4 inlets
- Easy access to the pump with screw-on pedestrian cover
- Automatic pump operation
- Optional discharge kit available



### DELIVERED AS STANDARD



- Tank with pre-assembled hydraulic and sealing gasket, 1 Sanipump GR, PVC pipe, pedestrian cover



Sanipump GR S



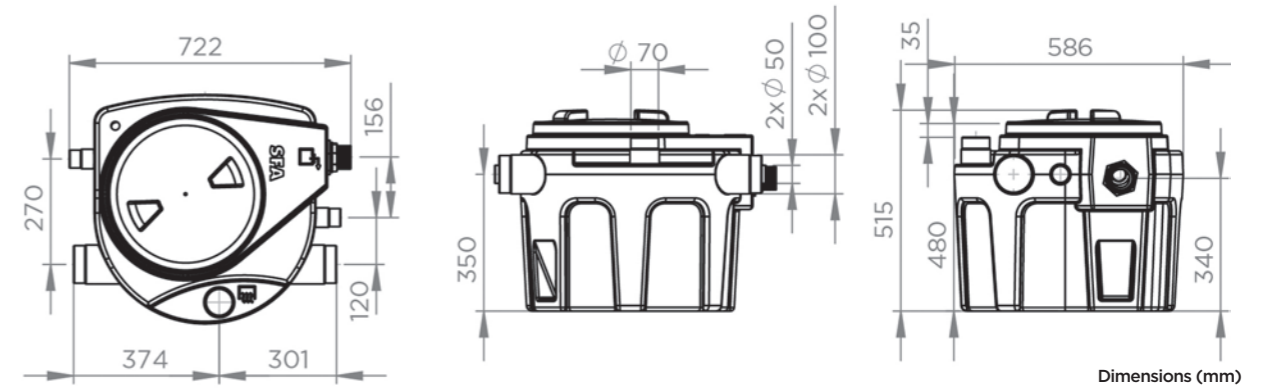
Pro X K2 grinder

### OPTIONAL EXTRAS (SEE ACCESSORIES PAGES)

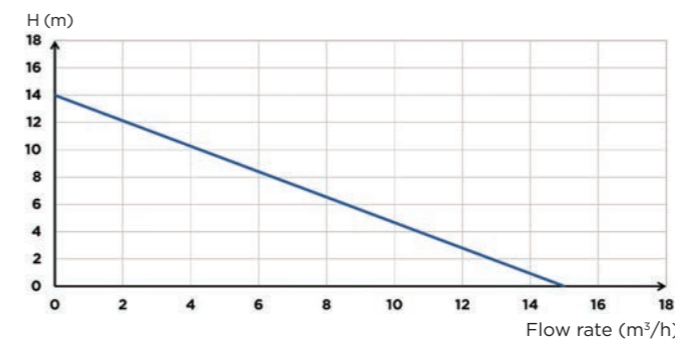


Sanifos 110 evacuation kit  
Barcode: 3308815077024  
Product code: 40500

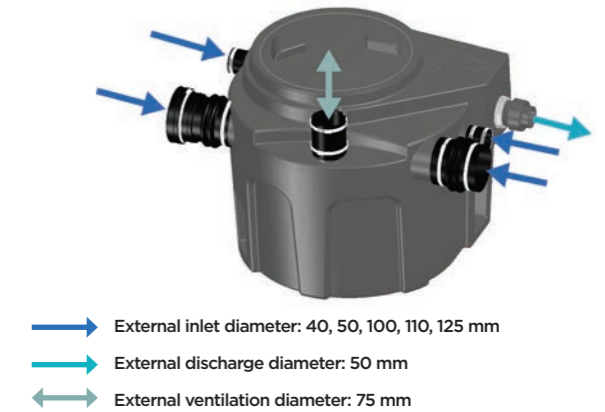
### DIMENSIONS



### CURVE



### CONNECTIONS



	Sanifos 110
Number of pumps	1
Material	
Tank	PE
Pipework	PVC
Electrical features	
See electrical features for pump on page 95	
Hydraulics	
Max. Head (m)	14
Max. Flow rate (m <sup>3</sup> /h)	15
External inlet diameter (mm)	40, 50, 100, 110, 125
External discharge diameter (mm)	50
External ventilation diameter (mm)	75
Total volume (L)	110
Useable volume (L)	38
ON level /OFF level (mm)	320/120
Min. incoming water connection (mm)	182
Type of impeller	Pro X K2 grinder
Type of activation	float
Identification and logistics	
Gross weight (kg)	40
Barcode	3308815079318
Product code	40000

# Sanifos 280

## Grey water, storm water

The Sanifos 280 is a grey water lifting station designed to lift the waste water from a larger household: WC, sink, washing machine etc. It consists of a 280 litre tank and a pump with float switch. It is available in 2 different pump versions: grinder with Pro X K2 technology or vortex. Sanifos 280 comes with its own pipework with shut-off valve and non-return valve and the bottom of the tank is self-cleaning. A 30 cm extension is available as an option.



### PERFORMANCE

- Max. Head: 10 m
- Max. Flow rate: 13 m<sup>3</sup>/h

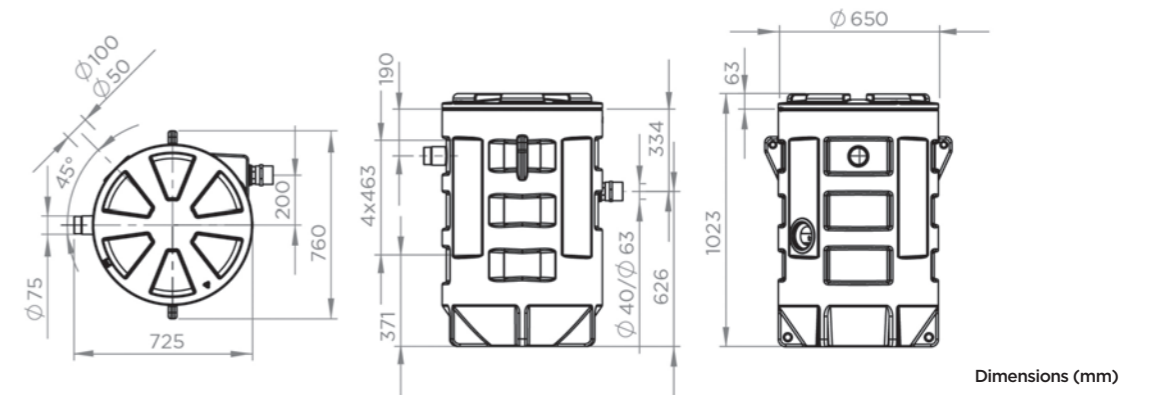
DEPENDING ON MODEL

### PRODUCT FEATURES & BENEFITS

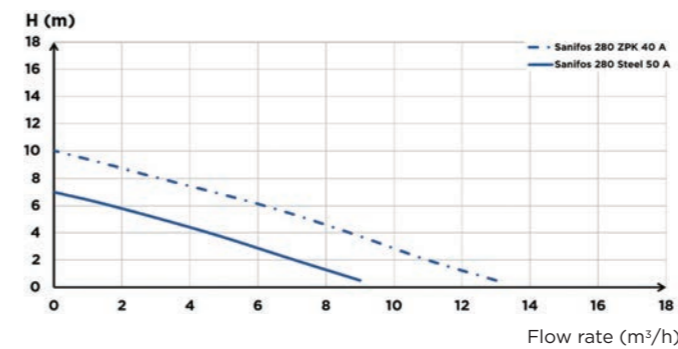
- Easy installation: preassembled elements
- 3 drilling zones available for incoming water connections
- Automatic operation
- Bottom of the tank is self-cleaning
- Non-return valves and shut-off valves included



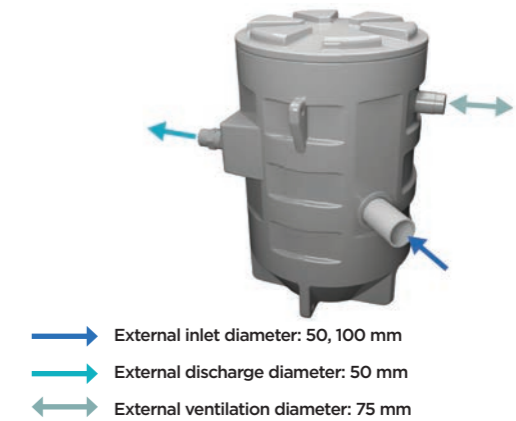
### DIMENSIONS



### CURVE



### CONNECTIONS



### DELIVERED AS STANDARD



Sanifos 280 ZPK 40 A



Sanifos 280 Steel

- Tank with pre-assembled hydraulics, isolation valve and non-return valve, Sanisub ZPK 40 A or Sanisub Steel 50 A pump, PVC piping



Sanisub ZPK 40 A



Sanisub Steel 50 A



Closed impeller

### OPTIONAL EXTRAS (SEE ACCESSORIES PAGES)

Sanifos 280 extension  
Barcode: 3308815081298  
Product code: 40502



Sanifos alarm for 1 pump versions if required  
Barcode: 3308815081625  
Product code: 40501



	Sanifos 280 ZPK 40 A	Sanifos 280 Steel
Number of pumps	1	1
Material		
Tank	PE	PE
Pipework	PVC	PVC
Electrical features		
See electrical features for pump on page 91 and page 89 for the ZPK 40 A and sanisub steel		
Hydraulics		
Max. Head (m)	10	7
Max. Flow rate (m <sup>3</sup> /h)	13	9
External inlet diameter (mm)	50, 100	50, 100
External discharge diameter (mm)	50	50
External ventilation diameter (mm)	75	75
Total volume (L)	280	280
Min. invert level (mm)	180	180
Max. invert level (mm)	550	550
Max. invert level with optional extension (mm)	885	885
Type of impeller	Closed channel	Closed channel
Type of activation	float	float
Identification and logistics		
Gross weight (kg)	48.6	46.5
Barcode	3308815085968	3308815085975
Product code	31002	31003



# Sanifos 280

## Grey water, black water

The Sanifos 280 is a lifting station designed to lift the waste water from a larger household: WC, sink, washing machine etc. It consists of a 280 litre tank and a pump with float switch. It is available in 2 different pump versions: grinder with Pro X K2 technology or vortex. Sanifos 280 comes with its own pipework with shut-off valve and non-return valve and the bottom of the tank is self-cleaning. A 30 cm extension is available as an option.



### PERFORMANCE

- Max. Head: 14 m
- Max. Flow rate: 26 m<sup>3</sup>/h

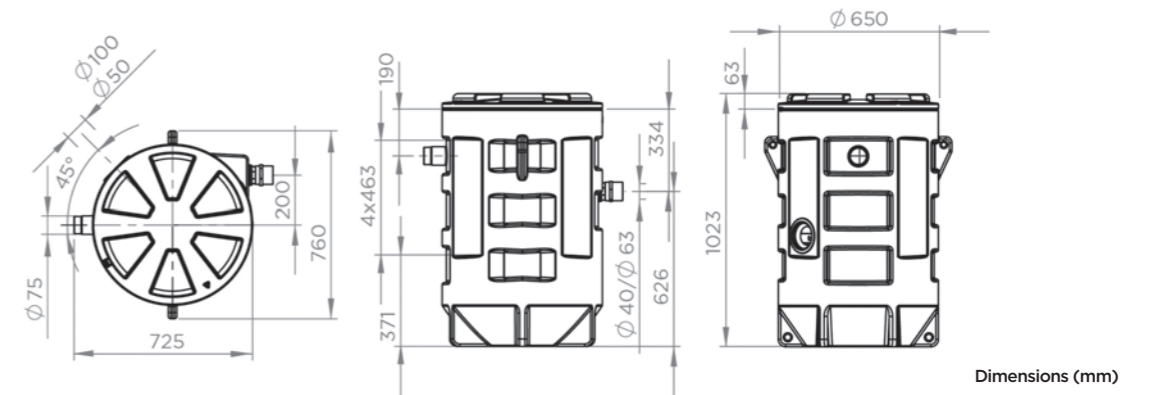
DEPENDING ON MODEL

### PRODUCT FEATURES & BENEFITS

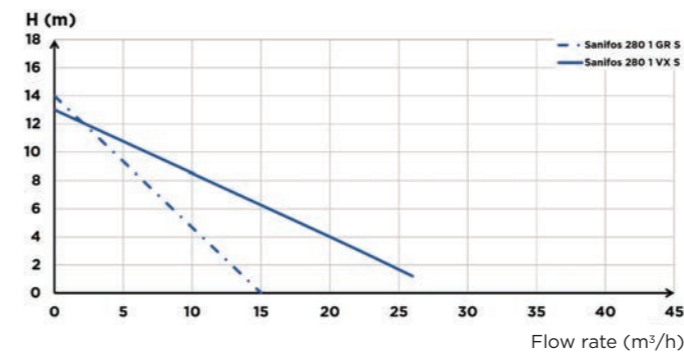
- Easy installation: preassembled elements
- 3 drilling zones available for incoming water connections
- 2 pump versions: grinder or vortex
- Automatic operation
- Bottom of the tank is self-cleaning
- Non-return valves and shut-off valves included



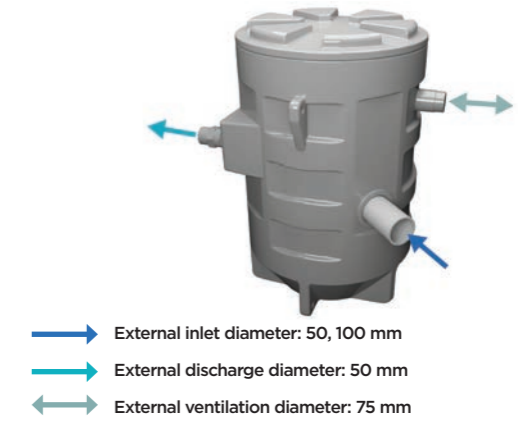
### DIMENSIONS



### CURVE



### CONNECTIONS



### DELIVERED AS STANDARD



- Tank with pre-assembled hydraulics, isolation valve and non-return valve, Sanipump GR or VX, handling chain, IP68 terminal block, cable gland



Sanipump GR S



Sanipump VX S



Pro X K2 grinder



Vortex

### OPTIONAL EXTRAS (SEE ACCESSORIES PAGES)

Sanifos 280 extension  
Barcode: 3308815081298  
Product code: 40502



Sanifos alarm for 1 pump versions if required  
Barcode: 3308815081625  
Product code: 40501



	Sanifos 280 1GR S	Sanifos 280 1VX S
Number of pumps	1	1
Material		
Tank	PE	PE
Pipework	PVC	PVC
Electrical features		
See electrical features for pump on page 95		
Hydraulics		
Max. Head (m)	14	13
Max. Flow rate (m <sup>3</sup> /h)	15	26
External inlet diameter (mm)	50, 100	50, 100
External discharge diameter (mm)	50	63
External ventilation diameter (mm)	75	75
Total volume (L)	280	280
Min. invert level (mm)	180	180
Max. invert level (mm)	585	585
Max. invert level with optional extension (mm)	885	885
Type of impeller	Pro X K2 grinder	vortex
Type of activation	float	float
Identification and logistics		
Gross weight (kg)	55	55
Barcode	3308815083117	3308815081304
Product code	40001	40002

# Sanifos 610

## Grey water, storm water

The Sanifos 610 rainwater is designed to lift rainwater or grey water depending on the pump chosen. It consists of a 610 litre tank, one or two pumps and integrated float switch(es). It comes in 3 different configurations: 1 single-phase pump, 2 single-phase pumps or 2 three-phase pumps. The Sanifos lifting station comes with PVC pipework, shut-off valve(s) and non-return valve(s). A 30cm extension is available as an option.



### PERFORMANCE

- Max. Head: 13.5 m
- Max. Flow rate: 35 m<sup>3</sup>/h

DEPENDING ON MODEL

### PRODUCT FEATURES & BENEFITS

- Easy installation: pre-mounted pipework
- 4 drilling zones available for incoming water connection
- 3 versions available: single or dual pump, single or three phase
- Smart control box comes with 2 pump versions



### DELIVERED AS STANDARD



- Tank with pre-assembled hydraulics, 2 isolation valves and non-return valves, 3 floats installed in the tank, 1 or 2 Sanipump SLD 700, waterproof terminal block, cable gland, Smart control box with alarm (with 2 pump versions)



Sanipump SLD 700



Smart box (with 2 pump versions)



Wired alarm box



Two-channel impeller for rainwater

### OPTIONAL EXTRAS (SEE ACCESSORIES PAGES)

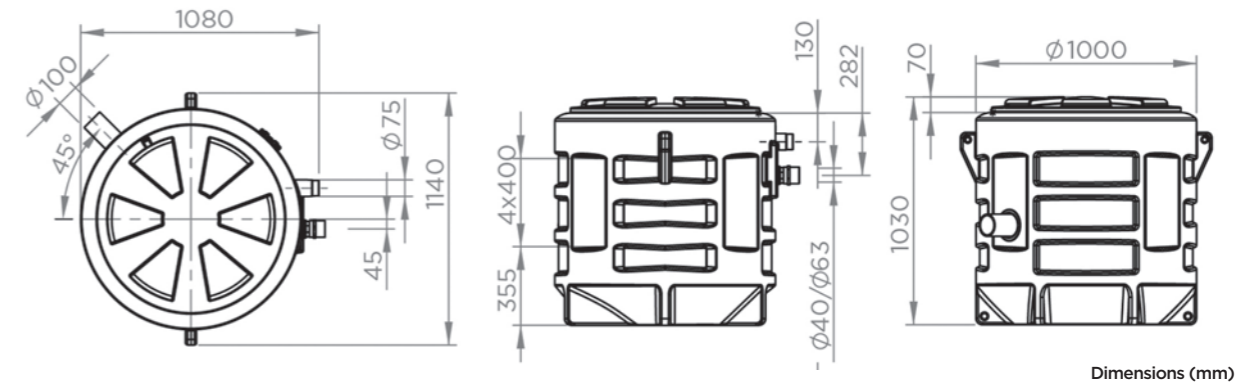
Sanifos 280 extension  
Barcode: 3308815081298  
Product code: 40502



Sanifos alarm for 1 pump versions if required  
Barcode: 3308815081625  
Product code: 40501

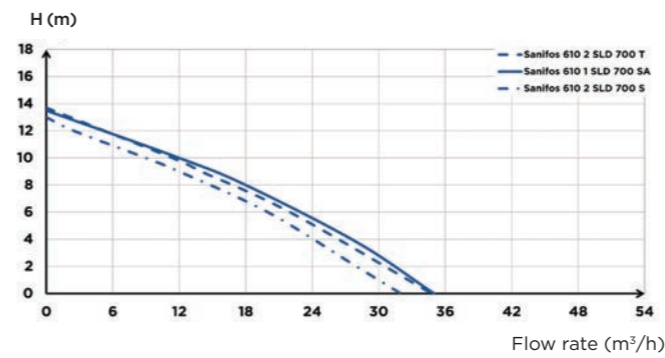


### DIMENSIONS



Dimensions (mm)

### CURVE



### CONNECTIONS



- External inlet diameter: 50, 100 mm
- External discharge diameter: 63 mm
- External ventilation diameter: 75 mm

	Sanifos 610 1 SLD 700 SA	Sanifos 610 2 SLD 700 S	Sanifos 610 2 SLD 700 T	Sanifos 610 2 SLD 700 S RD	Sanifos 610 2 SLD 700 T RD
Type of control box	-	Smart	Smart	Smart	Smart
Number of pumps	1	2	2	2	2
Material					
Tank	PE	PE	PE	PE	PE
Pipework	PVC	PVC	PVC	PVC	PVC
Electrical features					
See electrical features for pump on page 101					
Hydraulics					
Max. Head (m)	13.5	13	14	13	14
Max. Flow rate (m <sup>3</sup> /h)	35	32	35	32	35
External inlet diameter (mm)	50, 100	50, 100	50, 100	50, 100	50, 100
Discharge diameter ext. (mm)	63	63	63	63	63
External ventilation diameter (mm)	75	75	75	75	75
Total volume (L)	610	610	610	610	610
Useable volume (L)	190	100	100	100	100
ON Level /OFF level (mm)	-	470/50	470/50	390/90	390/90
Alarm level (mm)	-	570	570	570	570
Min. invert level (mm)	325	325	325	325	325
Max. invert level (mm)	670	670	670	670	670
Max. invert level with optional extension (mm)	1070	1070	1070	1070	1070
Type of impeller	two-channel	two-channel	two-channel	two-channel	two-channel
Type of activation	float	float	float	float	float
Identification and logistics					
Gross weight (kg)	85	120	120	120	120
Barcode	3308815084145	3308815084152	3308815084169	3308815096223	3308815096230
Product code	31004	31005	31006	51003	51004



# Sanifos 610

Radar version available August 2024

## Grey water, black water

The Sanifos 610 is a lifting station designed to lift grey water and black water from houses, commercial premises or a group of dwellings. It consists of a 610 litre tank and one or two pumps with integrated float switch(es) and the bottom of the tank is self-cleaning. It is available in 5 different single-phase or three-phase versions with a grinder pump or vortex pump. The lifting station comes with shut-off valve(s) and non-return valve(s). The 2-pump versions come with an interactive monitoring system: the SMART control box.



### PERFORMANCE

- Max. Head: 17 m
- Max. Flow rate: 28 m<sup>3</sup>/h

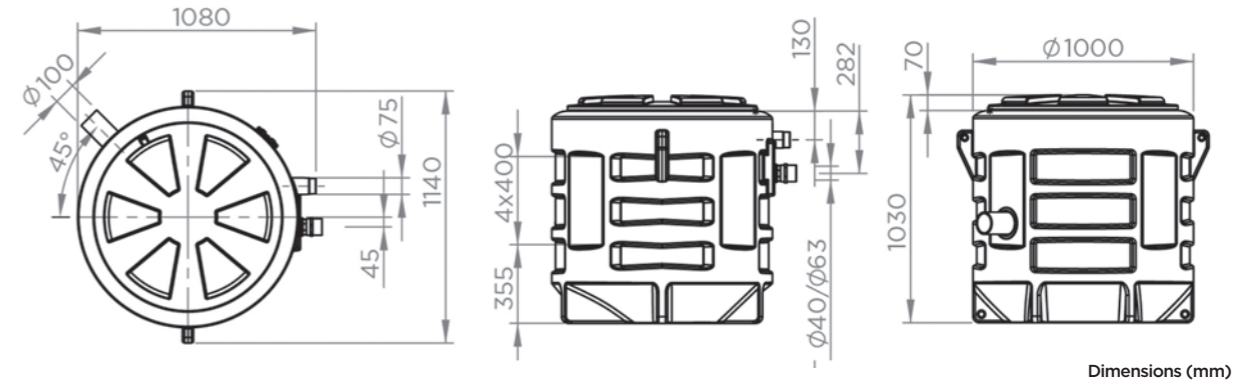
DEPENDING ON MODEL

### PRODUCT FEATURES & BENEFITS

- Easy installation: pre-mounted pipework
- 4 drilling zones available for incoming water connection
- 5 versions available: single or dual pump, single or three phase
- 2 types of pump available, either grinder or vortex
- Smart control box comes with 2 pump versions

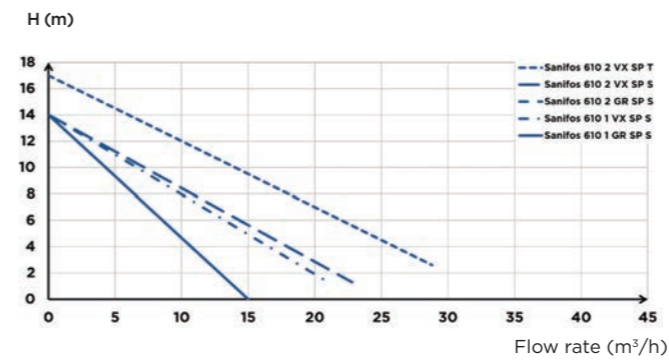


### DIMENSIONS



Dimensions (mm)

### CURVE

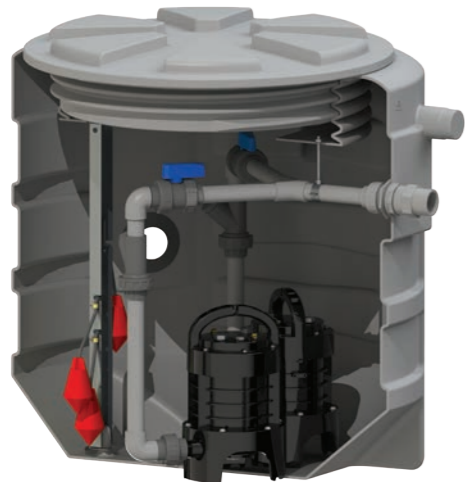


### CONNECTIONS



- External inlet diameter: 50, 100 mm
- External discharge diameter: 50 mm
- External ventilation diameter: 75 mm

### DELIVERED AS STANDARD



- Tank with pre-assembled hydraulics, 2 isolation valves and non-return valves, 3 floats installed in the tank, 1 or 2 Sanipump GR or VX, handling chain, waterproof terminal block, cable gland, Smart control box with alarm (with 2 pump versions)



Pro X K2 grinder

Vortex

Sanipump VX S

Sanipump GR S

### OPTIONAL EXTRAS (SEE ACCESSORIES PAGES)

Sanifos 280 extension  
Barcode: 3308815081298  
Product code: 40502



Sanifos alarm for 1 pump versions if required  
Barcode: 3308815081625  
Product code: 40501



	Sanifos 610 1 GR SP S	Sanifos 610 1 VX SP S	Sanifos 610 2 GR SP S	Sanifos 610 2 VX SP S	Sanifos 610 2 VX SP T	Sanifos 610 2 GR SP S RD	Sanifos 610 2 VX SP S RD	Sanifos 610 2 VX SP T RD
Type of control box			Smart	Smart	Smart	Smart	Smart	Smart
Number of pumps	1	1	2	2	2	2	2	2
Material								
Tank	PE	PE	PE	PE	PE	PE	PE	PE
Pipework	PVC	PVC	PVC	PVC	PVC	PVC	PVC	PVC
Electrical features								
See electrical features for pump on page 95								
Hydraulics								
Max. Head (m)	14	14	14	14	17	14	14	17
Max. Flow rate (m <sup>3</sup> /h)	16	21	16	23	28	16	23	28
External inlet diameter (mm)	50, 100	50, 100	50, 100	50, 100	50, 100	50, 100	50, 100	50, 100
External discharge diameter (mm)	50	63	50	63	63	50	63	63
External ventilation diameter (mm)	75	75	75	75	75	75	75	75
Total volume (L)	610	610	610	610	610	610	610	610
Useable volume (L)	150	160	170	170	170	170	170	170
Alarm level (mm)			570	570	570	570	570	570
Min. invert level (mm)	325	325	325	325	325	325	325	325
Max. invert level (mm)	670	670	670	670	670	670	670	670
Max. invert level with optional extension (mm)	1070	1070	1070	1070	1070	1070	1070	1070
Type of impeller	Pro X K2 grinder	vortex	Pro X K2 grinder	vortex	vortex	Pro X K2 grinder	vortex	vortex
Type of activation	float	float	float	float	float	radar	radar	radar
Identification and logistics								
Gross weight (kg)	100	100	115	115	115	115	115	115
Barcode	3308815081687	3308815083094	3308815083087	3308815083100	3308815081663	3308815096193	3308815096209	3308815096216
Product code	40003	40004	40005	40006	40007	51000	51001	51002

Key: S - Single phase, T - Three-phase

# Sanifos 1300

## Grey water, rain water

The Sanifos 1300 rainwater is a lifting station designed for removing rainwater, grey water or water that has been treated. It consists of a 1300 litre tank and a steel pump. It can be used for business premises or homes.



### PERFORMANCE

- Max. Head: 7 m
- Max. Flow rate: 8 m<sup>3</sup>/h

### PRODUCT FEATURES & BENEFITS

- Easy installation: pre-mounted hydraulics
- Guide bar for easy maintenance
- Variable incoming water connection
- Self-cleaning sloping tank bottom



### DELIVERED AS STANDARD



- Tank with pre-assembled hydraulics, 2 isolation valves, 2 non-return valves, cable glands, waterproof terminal blocks, 1 tank seal, 1 drilling template.

Sanisub Steel 50 A



### OPTIONAL EXTRAS (SEE ACCESSORIES PAGES)

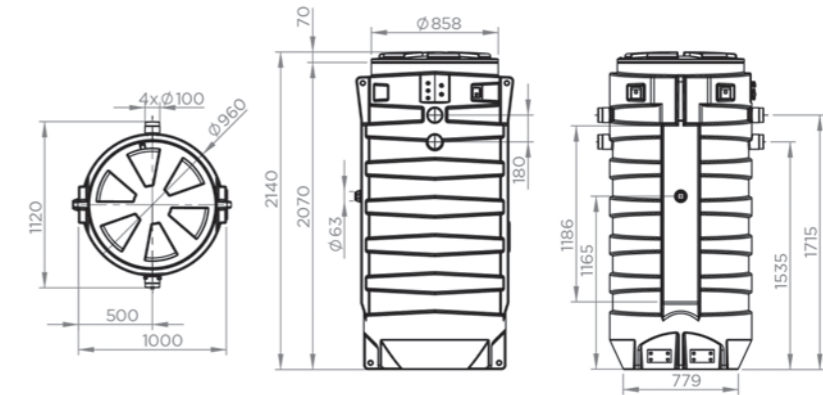
Sanifos 610/1300 extension

Barcode: 3308815077826

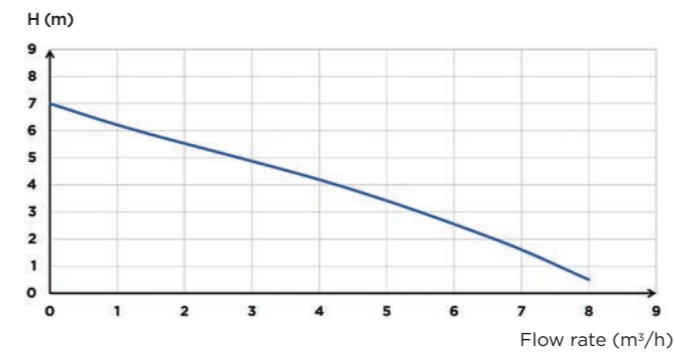
Product code: 40503



### DIMENSIONS



### CURVE



### CONNECTIONS



	Sanifos 1300 Steel
Number of pumps	1
Material	
Tank	PE
Pipework	PVC
Electrical features	
See electrical features for pump on page 89	
Hydraulics	
Max. Head (m)	7
Max. Flow rate (m <sup>3</sup> /h)	8
External inlet diameter (mm)	50, 100
Discharge diameter ext. (mm)	50
External ventilation diameter (mm)	100
Total volume (L)	1300
Useable volume (L)	160
Min. invert level (mm)	600
Max. invert level (mm)	1600
Max. invert level with optional extension (mm)	2000
Type of impeller	multi-channel
Type of activation	float
Identification and logistics	
Gross weight (kg)	85
Barcode	3308815085944
Product code	31007



# Sanifos 1300

Radar version available August 2024

## Grey water, black water

The Sanifos 1300 is a station designed to lift waste water from buildings, business premises or homes. It consists of a 1300 litre tank and two pumps. It is available in 3 different configurations: single-phase grinder impeller, single-phase vortex impeller or three-phase vortex impeller. This station is delivered with an interactive monitoring system: the Smart control box.



### PERFORMANCE

- Max. Head: 17 m
- Max. Flow rate: 32 m<sup>3</sup>/h

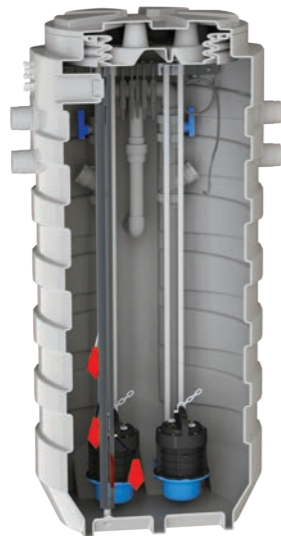
DEPENDING ON MODEL

### PRODUCT FEATURES & BENEFITS

- Easy installation: pre-mounted hydraulics
- Guide rails for easy maintenance
- Variable incoming water connection
- Self-cleaning sloping tank bottom
- Delivered with Smart control box



## DELIVERED AS STANDARD



- Tank with pre-assembled hydraulics, 2 isolation valves, 2 non-return valves and 3 floats installed in the tank. 2 submersible pumps (either grinder or vortex), stainless steel handling chains with fixing shackles, cable glands, waterproof terminal blocks, 1 tank seal, 1 drilling template, Smart control unit with alarm



Smart box (with 2 pump versions)



Pro X K2 grinder



Vortex



Sanipump VX S



Sanipump GR S

## OPTIONAL EXTRAS (SEE ACCESSORIES PAGES)

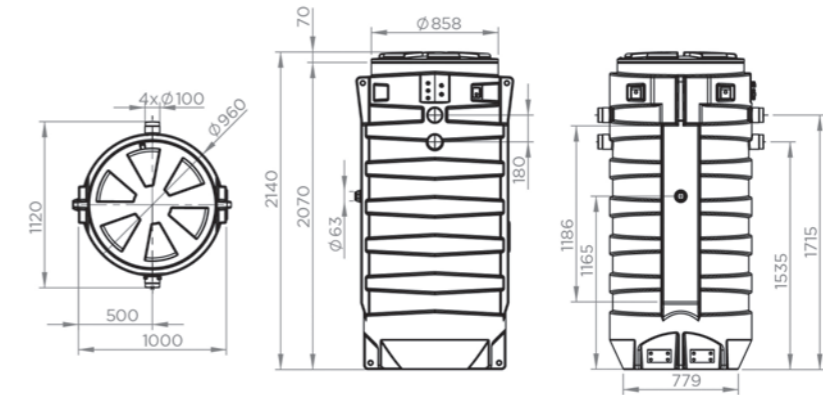
Sanifos 610/1300 extension

Barcode: 3308815077826

Product code: 40503

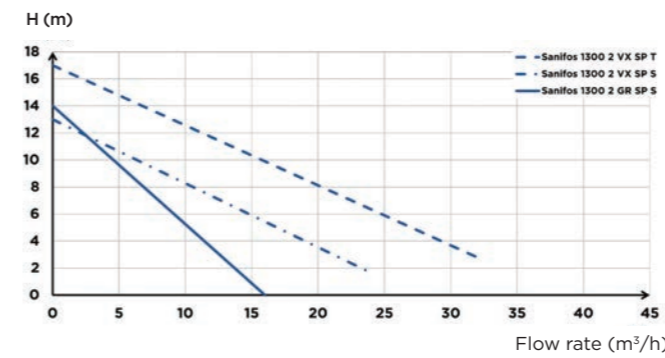


## DIMENSIONS



Dimensions (mm)

## CURVE



## CONNECTIONS



- External inlet diameter: 160 mm
- External discharge diameter: 63 mm
- External ventilation diameter: 100 mm

	Sanifos 1300 2GR SP S	Sanifos 1300 2VX SP S	Sanifos 1300 2VX SP T	Sanifos 1300 2 GR SP S RD	Sanifos 1300 2 VX SP S RD	Sanifos 1300 2 VX SP T RD
Type of control box	Smart	Smart	Smart	Smart	Smart	Smart
Number of pumps	2	2	2	2	2	2
<b>Material</b>						
Tank	PE	PE	PE	PE	PE	PE
Pipework	PVC	PVC	PVC	PVC	PVC	PVC
<b>Electrical features</b>						
See electrical features for pump on page 95						
<b>Hydraulics</b>						
Max. Head (m)	14	13	17	14	13	17
Max. Flow rate (m <sup>3</sup> /h)	16	25	32	16	25	32
External inlet diameter (mm)	160	160	160	160	160	160
External discharge diameter (mm)	63	63	63	50	63	63
External ventilation diameter (mm)	100	100	100	100	100	100
Total volume (L)	1300	1300	1300	1300	1300	1300
Useable volume (L)	350	350	350	350	350	350
Alarm level (mm)	930	930	930	930	930	930
Min. invert level (mm)	600	600	600	600	600	600
Max. invert level (mm)	1600	1600	1600	1600	1600	1600
Max. invert level with optional extension (mm)	2000	2000	2000	2000	2000	2000
Type of impeller	Pro X K2 grinder	vortex	vortex	Pro X K2 grinder	vortex	vortex
Type of activation	float	float	float	radar	radar	radar
<b>Identification and logistics</b>						
Gross weight (kg)	138	138	138	138	138	138
Barcode	3308815077796	3308815077802	3308815077819	3308815096254	3308815096261	3308815096278
Product code	40008	40009	40010	51005	51006	51007

# Sanifos 1600/2100/3100

Create your **TAILOR-MADE** lifting station

Depending on your project the Sanifos can be tailor-made for your requirements. Here are the different steps to finding the configuration you need.



Choose :

- 1 Your station**  
 Depending on the number of devices you want to connect to your station, different tank volumes are available. All tanks can accommodate 1 pump or 2 pumps.
- 2 Your pump**  
 Depending on the type of water that needs to be removed for your project, you can choose a submersible pump that is suitable. For grey water we recommend ZPG, for black water ZFS.
- 3 Your control box**  
 Choose the box suitable for your needs. Options available are with floats or pneumatic detection.
- 4 Your accessories**  
 Chains and shackles are included, but you can choose different covers and a fall protection grid. For a tank with floats - 3 are required in a single pump version, 4 in a twin pump version, two sizes of floats are available.



## 1 Your station

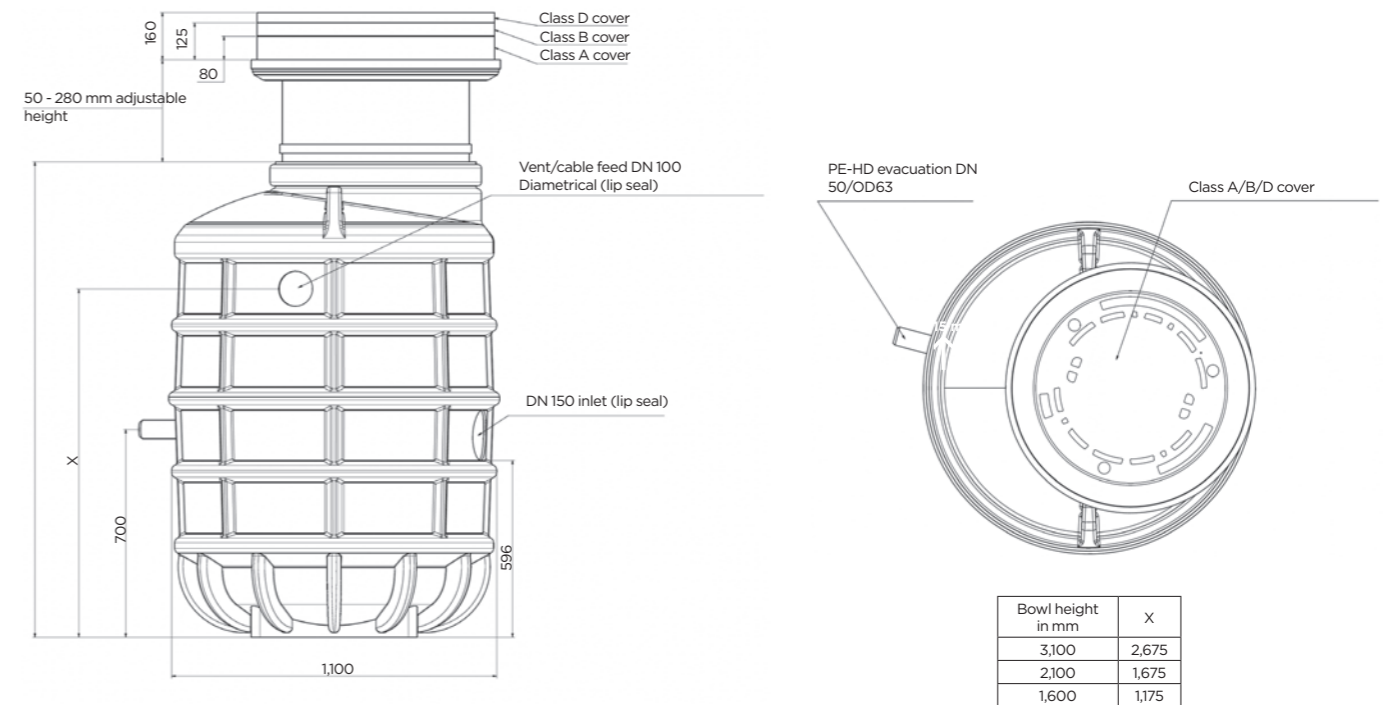
### APPLICATIONS

- Lifting of black water (ZFS) or rainwater (ZPG) from individual houses or public buildings
- Outdoor installation
- Different covers available

### ADVANTAGES

- Adjustable extension height
- DN32 stainless steel piping, pre-assembled with coupling system
- Non-return valve, shut-off valve and 1" connectors
- HDPE outlet 63 x 5.8, external to the manhole
- 2 DN 100 connections for cable glands
- This unit can be made to your requirements please contact us for more information

### DIMENSIONS



	Sanifos 1600-1	Sanifos 1600-2	Sanifos 2100-1	Sanifos 2100-2	Sanifos 3100-1	Sanifos 3100-2
<b>Type of control box</b>	ZPS 1 control box	ZPS 2 control box	ZPS 1 control box	ZPS 2 control box	ZPS 1 control box	ZPS 2 control box
<b>Number of pumps</b>	1	2	1	2	1	2
<b>Material</b>						
<b>Tank</b>	Polyethylene	Polyethylene	Polyethylene	Polyethylene	Polyethylene	Polyethylene
<b>Guide bars</b>	Stainless steel	Stainless steel	Stainless steel	Stainless steel	Stainless steel	Stainless steel
<b>Pipework</b>	Stainless steel	Stainless steel	Stainless steel	Stainless steel	Stainless steel	Stainless steel
<b>Hydraulics</b>						
<b>External discharge diameter DN</b>	50	50	50	50	50	50
<b>External ventilation diameter DN</b>	100	100	100	100	100	100
<b>External inlet diameter DN</b>	150	150	150	150	150	150
<b>ON level /OFF level (mm)</b>	Adjustable using the control box					
<b>Max. invert level (mm)</b>	1000	1000	1500	1500	2500	2500
<b>Max. invert level with optional extension (mm)</b>	1440	1440	1940	1940	2940	2940
<b>Type of activation</b>	Float or pneumatic depending on pump chosen (see page 54)					
<b>Identification and logistics</b>						
<b>Barcode</b>	3308815081885	3308815081915	3308815081892	3308815081922	3308815081908	3308815081939
<b>Product code</b>	14479	14490	14474	14477	14475	14478



## 2 Your pump

### SANIPUMP ZPG 71



- For pumping rainwater or black water
- Cast iron pump with vortex impeller
- Suitable for use in a manhole or pit
- Details on page 96

### SANIPUMP ZFS 71



- All waste water
- Cast iron grinder impeller pump
- Ideal for high total dynamic Head requirements
- Can be used for collective sanitary facilities, such as public buildings and apartment blocks
- Details on page 98

### Sanipump VX 50



- For pumping waste water or rainwater
- Cast iron pump with vortex impeller
- Can be used in a manhole or pit
- Details on page 102

DESCRIPTION	BARCODE	PRODUCT CODE
SANIPUMP ZPG 71.1 S	3308815081533	21857
SANIPUMP ZPG 71.1 T	3308815081540	21858
SANIPUMP ZPG 71.2 T	3308815081557	21859
SANIPUMP ZPG 71.3 T	3308815081564	21860

DESCRIPTION	BARCODE	PRODUCT CODE
SANIPUMP ZFS 71.1 S	3308815081571	21410
SANIPUMP ZFS 71.1 T	3308815081588	21411
SANIPUMP ZFS 71.2 T	3308815081595	21412
SANIPUMP ZFS 71.3 T	3308815081601	21413
SANIPUMP ZFS 71.4 T	3308815081618	21332

DESCRIPTION	BARCODE	PRODUCT CODE
SANIPUMP VX 50.1 S	3308815090139	31012
SANIPUMP VX 50.1 SA	3308815090146	31013
SANIPUMP VX 50.1 T	3308815090153	31014
SANIPUMP VX 50.2 S	3308815090160	31015
SANIPUMP VX 50.2 SA	3308815090177	31016
SANIPUMP VX 50.2 T	3308815090184	31017
SANIPUMP VX 50.3 S	3308815090191	31018
SANIPUMP VX 50.3 SA	3308815090207	31019
SANIPUMP VX 50.3 T	3308815090214	31020
SANIPUMP VX 50.4 S	3308815090221	31021
SANIPUMP VX 50.4 SA	3308815090238	31022
SANIPUMP VX 50.4 T	3308815090245	31023

## 3 Your control box



ZPS control box for the installation of one pump

- Wall mounted control box
- Available in pneumatic or float version
- Memory of the last 64 error messages
- Integrated audio and visual alarm
- Displays operating status by text and indicator light
- Automatic operation of one (or more) pumps
- Alternating operation for workstation with dual pumps



ZPS control box for the installation of two pumps

- Can switch on the 2nd pump if necessary
- Error messages displayed
- Level control via pressure transducer, float switch or 4-20 mA interface for external sensor
- Displays operating hours, electricity consumption as well as maintenance intervals

Details on page 112, Accessories.

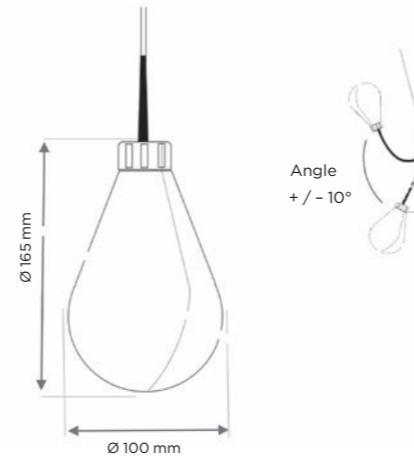
DESCRIPTION	NO. OF PUMPS	POWER	BARCODE	PRODUCT CODE
ZPS 1 S CONTROL BOX PNEUMATIC VERSION	1	230 V	3308815081793	21863
ZPS 2 S CONTROL BOX PNEUMATIC VERSION	2	230 V	3308815081809	21864
ZPS 1 T CONTROL BOX PNEUMATIC VERSION	1	400 V	3308815081816	21884
ZPS 2 T CONTROL BOX PNEUMATIC VERSION	2	400 V	3308815081823	21885
ZPS 1 S CONTROL BOX FLOAT VERSION	1	230 V	3308815081830	21865
ZPS 2 S CONTROL BOX FLOAT VERSION	2	230 V	3308815081847	21866
ZPS 1 T CONTROL BOX FLOAT VERSION	1	400 V	3308815081854	21867
ZPS 2 T CONTROL BOX FLOAT VERSION	2	400 V	3308815081878	21868

## 4 Your accessories

### AQUA XL

#### WEIGHTED FLOAT FOR STATIONS

Due to its weight (775 g) and volume this self-weighted level float, is perfectly suited to starting and stopping several pumps in waste water lifting stations, where sometimes thick layers of fat form on the surface.



Required:  
- 3 floats for single pump versions  
- 4 floats for 2 pump versions

Permissible fluid densities	0.95 to 1.05 g/cm <sup>3</sup>
Electrical characteristics	250 VAC 50-60 Hz
Breaking capacity	10 (4) A
Permissible operating pressure	2 bar
Maximum temperature	70 °C
IP rating	IP 68
Housing	Polypropylene copolymer
Cable type	PVC 3 x 0.75 mm
Cable-free float weight	775 g

DESCRIPTION	BARCODE	PRODUCT CODE
AQUA XL 10 M	3308815082691	41000
AQUA XL 20 M	3308815082707	41001



### STANDARD COVERS EN124

#### COVERS FOR PEDESTRIAN AND VEHICLE TRAFFIC

According to standard NF EN 124, lids are classified in the following categories: A15, B125 and D400.



**CLASS A15**  
Areas that can be used exclusively by pedestrians and cyclists



**CLASS B125**  
Footpaths, pedestrian areas and similar areas, parking areas and multi-storey car parks



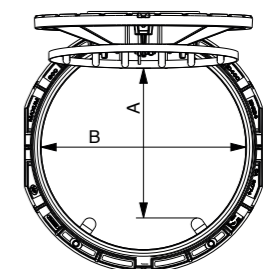
**CLASS D400**  
Traffic lanes, streets / roads (including pedestrian), hard shoulders and parking areas for all types of vehicles

DESCRIPTION	BARCODE	PRODUCT CODE
COVER A	3308815081946	16035
COVER B	3308815081953	16038
COVER D	3308815081960	16044
COVER D + GAC 600	3308815082677	30513
COVER D + GAC 800	3308815082684	30514

### FALL PROTECTION GRILL, OPTIONAL FOR COVER D

The fall protection grill keeps people safe when the cover is open for work or maintenance.

FEATURES	GAC 600	GAC 800
Tube Rods	Ø 27 / Ø 21	Ø 26.9 th. 2 mm
Material	316 L stainless steel	
Resistance	Static load capacity 500 kg maximum	
Spacing between each rod	53 mm	< 120 mm
Opening angle	> 100°	
Free passage A X B in mm	504 x 617	597 x 817
Weight in kg	9.3	13.5



# A pump for all situations

Submersible pumps



Drainage pumps



Pumps for underground tanks



Product name	Product	Clear water	Rain water	Sewage			Waste water		Saline water
		Water from boreholes, wells, sumps, swimming pools	Flood water, cellar drainage, residual water	Grey water	Black water	Sinks, washing machines	WC	Waste from water softeners (<15%)	
				<10 mm	<20 mm	<30 mm			
<b>Sanipuddle</b> Max. Head = 7 m Flow rate = 5.5 m <sup>3</sup> /h See page 80		✓							
<b>Sanisub 400</b> Max. Head = 7.5 m Flow rate = 7 m <sup>3</sup> /h See page 82		✓		✓			✓		
<b>Sanisub 800</b> Max. Head = 11 m Flow rate = 15 m <sup>3</sup> /h See page 84 <b>NEW</b>		✓	✓		✓		✓		
<b>Sanisub 800 Rainkit</b> Max. Head = 11 m Flow rate = 15 m <sup>3</sup> /h See page 86 <b>NEW</b>		✓	✓		✓		✓		
<b>Sanisub Steel &amp; Emergency Kit</b> Max. Head = 7.5 m Flow rate = 9 m <sup>3</sup> /h See page 88		✓		✓			✓		
<b>Sanisub ZPK</b> <b>Sanisub ZPK 40 AV</b> <b>Sanisub S ZPK</b> Max. Head = 10 m Flow rate = 10 m <sup>3</sup> /h See page 90	  	✓	✓	✓	✓	✓	✓		✓
<b>Sanipump GR</b> Max. Head = 14 m Flow rate = 15 m <sup>3</sup> /h <b>Sanipump VX</b> Max. Head = 13 m Flow rate = 27 m <sup>3</sup> /h See page 94	 	✓		✓			✓	✓	
<b>Sanipump ZPG 71</b> Max. Head = 31 m Flow rate = 43 m <sup>3</sup> /h See page 96		✓	✓	✓	✓	✓	✓		
<b>Sanipump ZFS 71</b> Max. Head = 39 m Flow rate = 17 m <sup>3</sup> /h See page 98		✓		✓	✓	✓	✓	✓	
<b>Sanipump SLD 700</b> Max. Head = 14 m Flow rate = 48 m <sup>3</sup> /h See page 100		✓	✓	✓	✓	✓	✓	✓	
<b>Sanipump VX 50</b> Max. Head = 16 m Flow rate = 29 m <sup>3</sup> /h See page 102		✓	✓	✓	✓	✓	✓	✓	
<b>Sanipump VX 65/80</b> Max. Head = 35 m Flow rate = 110 m <sup>3</sup> /h See page 106		✓	✓	✓	✓	✓	✓	✓	



# Sanipuddle

The Sanipuddle is a submersible pump which removes clear water or rain water from cellars, laundries, swimming pool floors, spas or lift shafts etc and can remove water down to 1 mm. Sanipuddle can lift water up to 7 m. Non-return valve and power cable included. An electronic control level is available as an option.



## PERFORMANCE

- Max. Head: 7 m
- Max. Flow rate: 5.5 m<sup>3</sup>/h

## PRODUCT FEATURES & BENEFITS

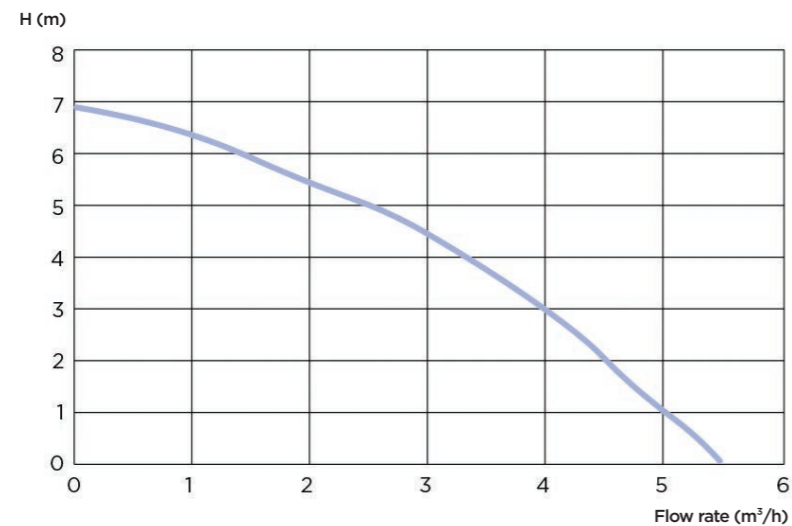
- High-quality polypropylene and stainless steel pump
- Drains down to 1mm of water
- Double mechanical seal
- Integrated non-return valve

## PACKAGING

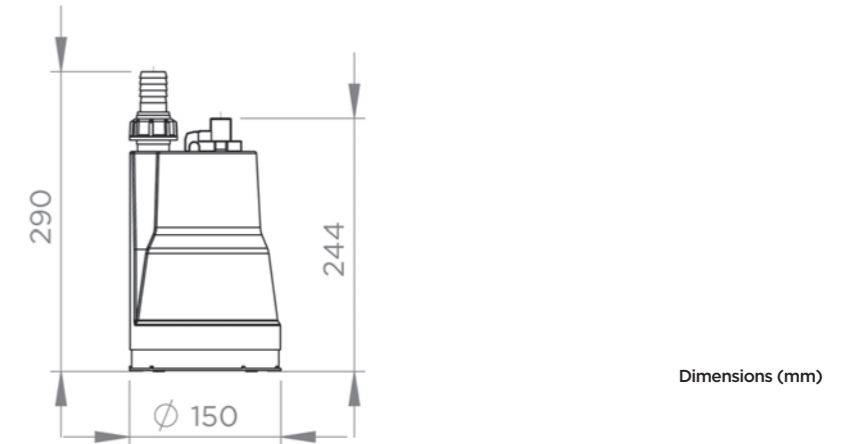
Sanipuddle pump, supply cable (10 m), non-return valve



## CURVE



## DIMENSIONS



	Sanipuddle
<b>Material</b>	
Shaft	Stainless steel
Pump housing	PP GF
Seal	Carbon/ceramic/NBR
Motor housing	Stainless steel
Impeller	PA 6 GF
<b>Electrical features</b>	
Voltage (V)	230
Frequency (Hz)	50-60
Power consumption P1 (W)	300
Power output P2 (W)	160
Revolutions per minute (RPM)	2800
Electrical class	I
Immersion depth (m)	5
Power cable: length (m)	10
<b>Hydraulics</b>	
Max. Head (m)	7
Max. Flow rate (m <sup>3</sup> /h)	5.5
Discharge diameter (inches)	1
Particle size (mm)	1
Max. Temperature of the pumped liquid (5 min max)	70°C
Type of impeller	Multi-channel
Type of activation	Manual
<b>Identification and logistics</b>	
Gross weight (kg)	3.77
Barcode	3308815083179
Product code	22044

## OPTIONAL EXTRAS

### ELECTRONIC LEVEL CONTROL FOR SANIPUDDLE



The electronic level controller is used for controlling the level of fluids in tanks or pits when very precise control is required or when the level of fluids must be very low. It consists of 4 stainless steel electrodes, an electrode holder, a mounting bracket, a 10 m cable and a plug-in control adapter.

Barcode	Product code
3308815083025	22025

# Sanisub 400

The Sanisub 400 is a submersible clear water pump for removing flood water from buildings or cellars. It can lift water up to 7.5 m. It is triggered automatically by an integrated lever float. Versatile; it can be transformed into a low suction pump for residual water by using its removable drain and the float lock for continuous operation.



## PERFORMANCE

- Max. Head: 7.5 m
- Max. Flow rate: 7 m<sup>3</sup>/h

## PRODUCT FEATURES & BENEFITS

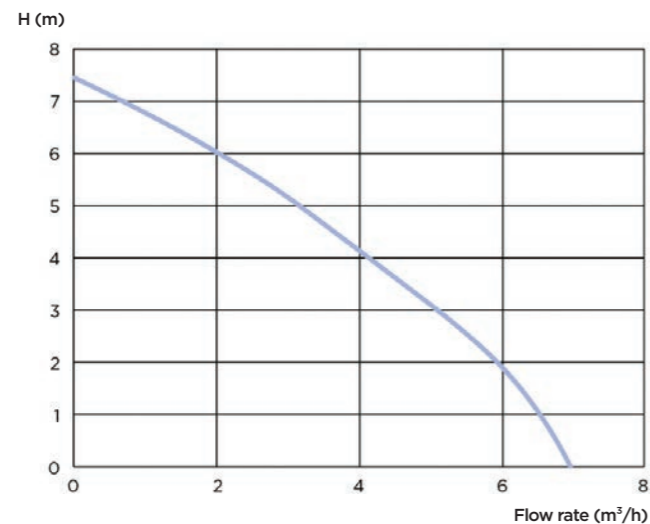
- Automatic activation
- Max. 7 m immersion depth
- Leaves only 5 mm of water once cover is removed
- 10 mm particle size
- Integrated non-return valve
- Float lock ring included

## PACKAGING

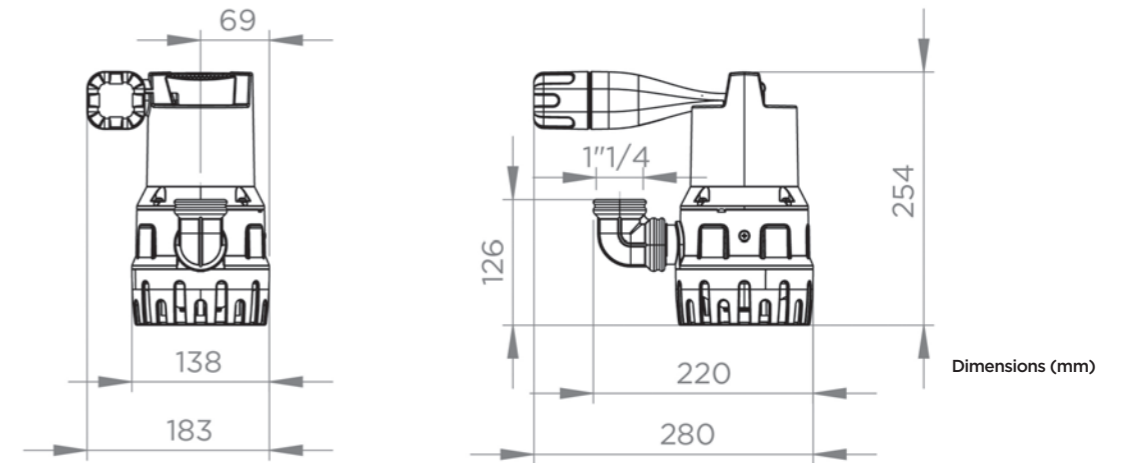
Sanisub 400 pump, supply cable (10 m). 90° connection elbow, non-return valve



## CURVE



## DIMENSIONS



	Sanisub 400
<b>Material</b>	
Shaft	Stainless steel
Pump housing	PP GF
Seal	NBR
Motor housing	Stainless steel
Impeller	PA 6 GF
<b>Electrical features</b>	
Voltage (V)	230
Frequency (Hz)	50-60
Power consumption P1 (W)	400
Power output P2 (W)	180
Revolutions per minute (RPM)	2800
Electrical class	I
Immersion depth (m)	7
Power cable: length (m)	10
<b>Hydraulics</b>	
Max. Head (m)	7.5
Max. Flow rate (m <sup>3</sup> /h)	7
Discharge diameter G (inches)	1 1/4
ON level /OFF level (mm)	200/50
Particle size (mm)	10
Max. Temperature of the pumped liquid (5 min max)	70°C
Type of impeller	Multi-channel
Type of activation	Float
<b>Identification and logistics</b>	
Gross weight (kg)	4.6
Barcode	3308815081632
Product code	33101



# Sanisub 800

Available August 2024

The Sanisub 800 is a submersible clear water pump for removing flood water from buildings or cellars. It can lift water up to 11 m. It is triggered automatically by an integrated lever float. Versatile, it can be transformed into a low suction pump for residual water by using its removable drain and the float lock for continuous operation.



## PERFORMANCE

- Max. Head: 11 m
- Max. Flow rate: 15 m<sup>3</sup>/h

## PRODUCT FEATURES & BENEFITS

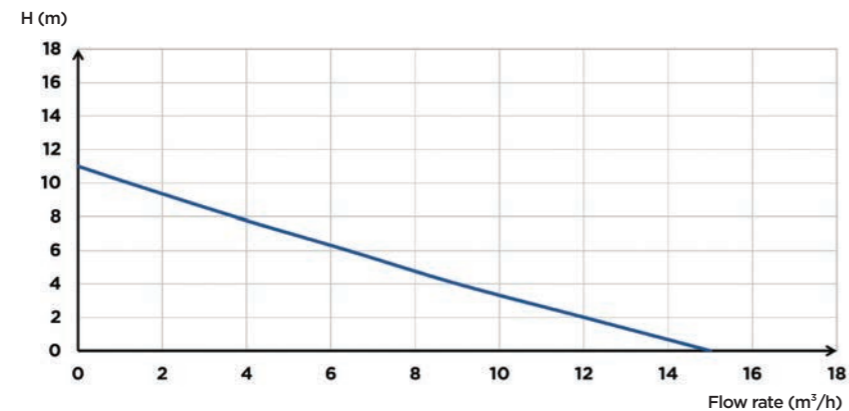
- Automatic release
- Max. 7 m immersion depth
- 5 mm suction without strainer
- 20 mm particle size
- Integrated non-return valve
- Float lock ring included

## PACKAGING

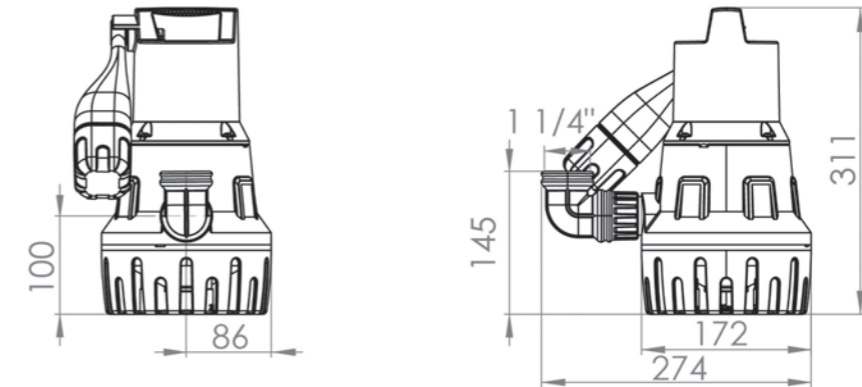
Sanisub 800 pump, supply cable (10 m). 90° connection elbow, non-return valve



## CURVE



## DIMENSIONS



	Sanisub 800
<b>Material</b>	
Shaft	Stainless steel
Pump housing	PP GF
Seal	NBR
Motor housing	Stainless steel
Impeller	PA 6 GF
<b>Electrical features</b>	
Voltage (V)	230
Frequency (Hz)	50
Power consumption P1 (W)	800
Power output P2 (W)	600
Revolutions per minute (RPM)	2800
Electrical class	I
Immersion depth (m)	7
Power cable: Length (m)	10
<b>Hydraulics</b>	
Max. Head (m)	11
Max. Flow rate (m <sup>3</sup> /h)	15
Discharge diameter G (inch)	1 1/4
Discharge diameter ext. (mm)	40
ON Level /OFF level (mm)	250/130
Particle size (mm)	20
Max. Temperature of the pumped liquid (5 min max)	70°C
Type of impeller	multi-channel
Type of activation	float
<b>Identification and logistics</b>	
Gross weight (kg)	6.5
Barcode	3308815096308
Product code	<b>33105</b>

# Sanisub 800 Rainkit

Available August 2024

The Sanisub 800 Rainkit is a pumping kit for clear water for pumping flood water from living rooms or cellars. This pump kit can raise water up to 11 m with a particle size of 20 mm without the drain by placing the pump on the feet provided. This rainwater lifting kit consists of 2 pumps to be mounted on a stainless steel frame. The pumps work alternately. The pumps are pre-assembled.



## PERFORMANCE

- Max. Head: 11 m
- Max. Flow rate: 15 m<sup>3</sup>/h

## PRODUCT FEATURES & BENEFITS

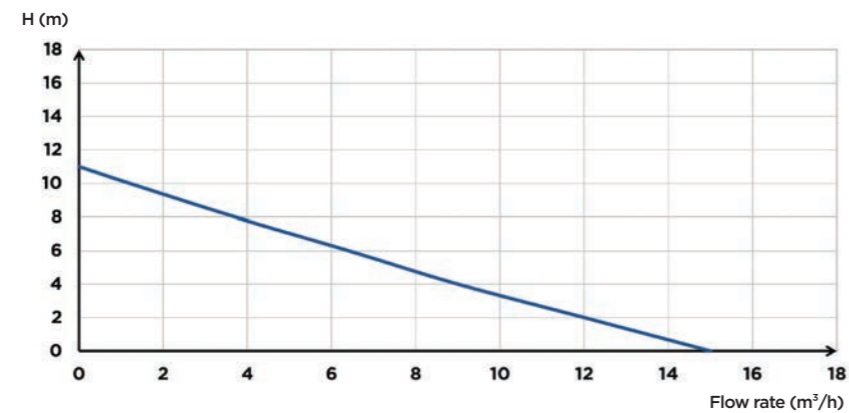
- Particle size of 20 mm without the drain by placing the pump on the feet provided
- Lift height of 11 m
- 2 Sanisub 800 pumps
- Alternating operation of the pumps
- Non-return valves integrated into the pumps
- Stainless steel frame with overflow filling
- Pre-assembled pipes

## PACKAGING

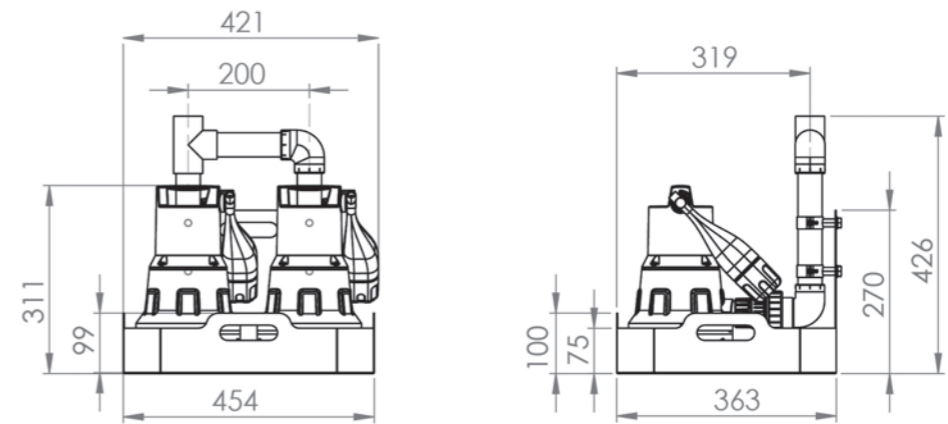
Control box, PVC pipe, stainless steel frame, 2 Sanisub 800 pumps, alarm float



## CURVE



## DIMENSIONS



	Sanisub 800 Rainkit
<b>Material</b>	
Shaft	Stainless steel
Pump housing	PP GF
Seal	NBR
Motor housing	Stainless steel
Impeller	PA 6 GF
<b>Electrical features</b>	
Voltage (V)	230
Frequency (Hz)	50-60
Power consumption P1 (W)	800
Power output P2 (W)	600
Revolutions per minute (RPM)	2800
Electrical class	I
Immersion depth (m)	7
Power cable: Length (m)	10
<b>Hydraulics</b>	
Max. Head (m)	11
Max. Flow rate (m <sup>3</sup> /h)	15
Discharge diameter G (inch)	1 1/4
Discharge diameter ext. (mm)	40
ON Level /OFF level (mm)	250/130
Particle size (mm)	20
Max. Temperature of the pumped liquid (5 min max)	70°C
Type of impeller	multi-channel
Type of activation	float
<b>Identification and logistics</b>	
Gross weight (kg)	24
Barcode	3308815096568
Product code	<b>33106</b>



# Sanisub Steel and Emergency Kit

The Sanisub Steel is designed for the removal of lightly contaminated water: ponds, tanks and flooded cellars. Sanisub Steel is a stainless steel pump with optimised cooling. This pump can lift water up to 7.5 m with a particle size of 10 mm and a maximum temperature of 75°C.

The emergency kit includes a basket with fixing kit, a 15 m discharge hose and quick couplings.



## PERFORMANCE

- Max. Head: 7.5 m
- Max. Flow rate: 9 m<sup>3</sup>/h

## PRODUCT FEATURES & BENEFITS

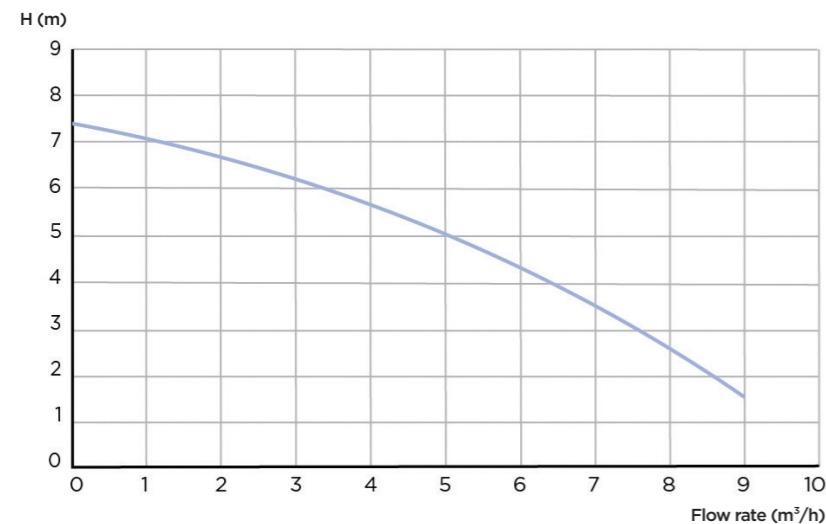
- 10 mm particle size
- 7.5 m lifting height
- Optimised cooling
- Automatic activation by float
- Sanisub steel pump available without emergency kit (Code 22488)
- Easy to store: basket comes with a cover
- 15 m drain hose with quick couplings and hose support included

## PACKAGING

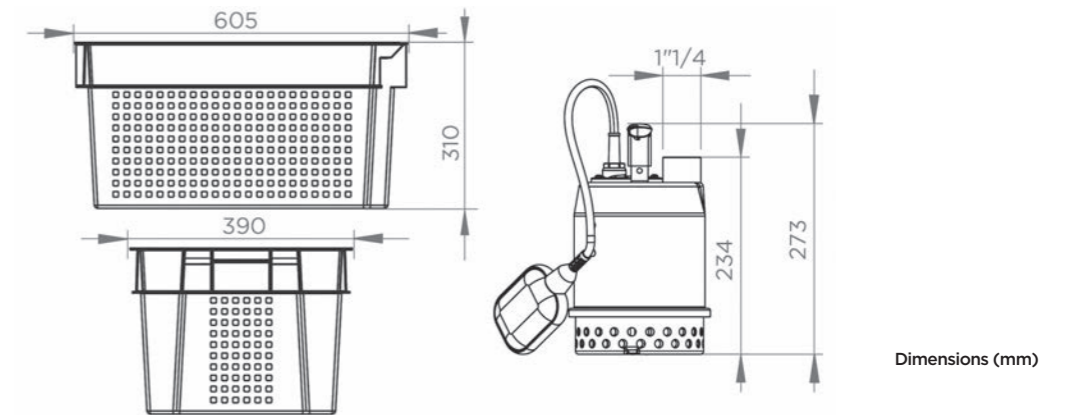
Sanisub Steel pump, basket with fixing kit, 15 m drain hose with quick couplings, hose support, supply cable (10 m)



## CURVE



## DIMENSIONS



Sanisub Steel and Emergency Kit	
<b>Material</b>	
Shaft	Stainless steel
Pump housing	GG-20
Seal	Carbon/ceramic
Motor housing	Stainless steel
Impeller	PA 6 GF
<b>Electrical features</b>	
Voltage (V)	230
Frequency (Hz)	50-60
Power consumption P1 (W)	450
Power output P2 (W)	203
Revolutions per minute (RPM)	2800
Electrical class	I
Motor insulation class	F
Immersion depth (m)	5
Power cable: length (m)	10
<b>Hydraulics</b>	
Max. Head (m)	7.5
Max. Flow rate (m <sup>3</sup> /h)	9
Discharge diameter G (inches)	1 1/4
Particle size (mm)	10
Max. Temperature of the pumped liquid (5 min max)	70°C
Type of impeller	Multi-channel
Type of activation	Float
<b>Identification and logistics</b>	
Gross weight (kg)	12.5
Barcode	3308815083964
Product code	22512

## SANISUB STEEL 50 A

Pump only

Sanisub Steel 50 A	
<b>Identification and logistics</b>	
Gross weight (kg)	4.5
Barcode	3308815083162
Product code	22488



# Sanisub ZPK

The Sanisub ZPK is a cellar pump available in 3 models designed for pumping water from cellars, garages and rainwater manholes.

It can handle hot water up to 90°C for short periods. Sanisub ZPK is triggered automatically by an adjustable float and can pump water up to 10 m with a particle size of 10 to 30 mm. All versions are supplied with a 90° connection bend of DN25 or DN32 (depending on model) and a 10 m supply cable with plug.



## PERFORMANCE

- Max. Head: 10 m
- Max. Flow rate: 10 m³/h

## PRODUCT FEATURES & BENEFITS

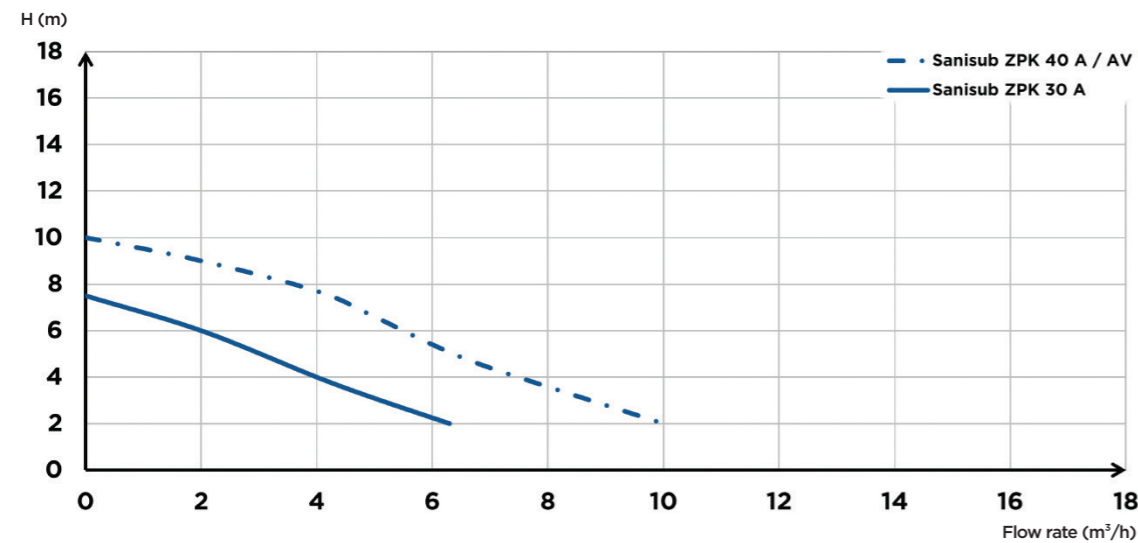
- Lifting height up to 10 m
- Can pump water with particle size from 10 mm to 30 mm
- Water resistance up to 90°C (short periods – max 5 mins)

## PACKAGING

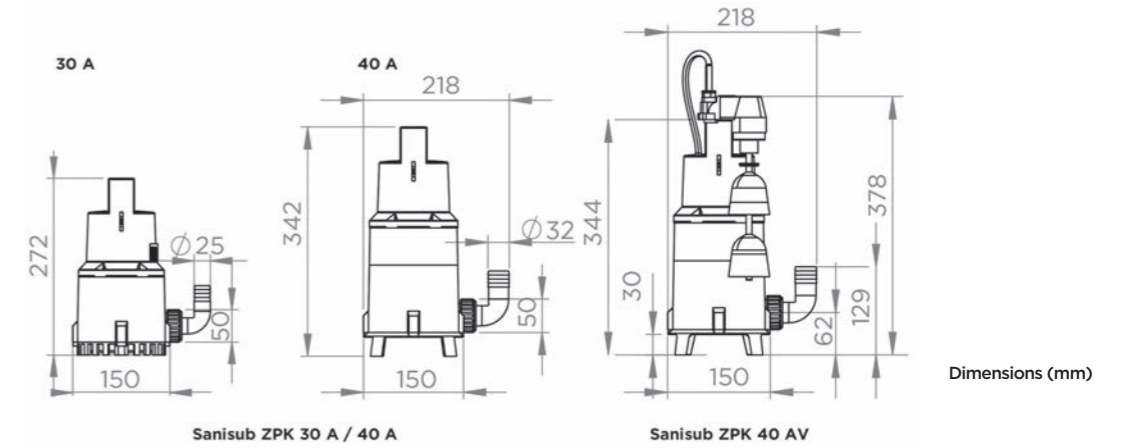
Sanisub ZPK pump, 90° connection bend (30 A DN 25, 40 A DN 32), non-return valve, 10 m supply cable



## CURVE



## DIMENSIONS



	Sanisub ZPK 30 A	Sanisub ZPK 40 A	Sanisub ZPK 40 AV
<b>Material</b>			
Shaft	Stainless steel	Stainless steel	Stainless steel
Pump housing	PP GF	PP GF	PP GF
Seal	Carbon/ceramic	Carbon/ceramic	Carbon/ceramic/NBR
Motor housing	Stainless steel	Stainless steel	Stainless steel
Impeller	PA 6 GF	PA 6 GF	PA 6 GF
<b>Electrical features</b>			
Voltage (V)	230	230	230
Frequency (Hz)	50-60	50-60	50-60
Power consumption P1 (W)	300	850	850
Power output P2 (W)	130	430	430
Revolutions per minute (RPM)	2800	2800	2800
Electrical class	I	I	I
Submerged	S1	S1	S1
Immersion depth (m)	5	5	5
Power cable: length (m)	10	10	10
<b>Hydraulics</b>			
Max. Head (m)	7.5	10	10
Max. Flow rate (m³/h)	7	10	10
Discharge diameter DN	25	32	32
Discharge diameter G (inches)	1"¼	1"¼	1"¼
Particle size (mm)	10	30	30
Max. Temperature of the pumped liquid (5 min max)	90 °C	90 °C	90 °C
Type of impeller	Multi-channel	Multi-channel	Multi-channel
Type of activation	Float	Float	Compact Float
<b>Identification and logistics</b>			
Gross weight (kg)	4.48	6.43	6.60
Barcode	3308815081434	3308815081441	3308815085937
Product code	22046	22047	31008



# Sanisub S ZPK

The Sanisub S ZPK is equipped with a silicone carbide mechanical seal, Sanisub S ZPK is a cellar pump designed for the evacuation of saline water (maximum salt content 15%), ideal for brine water from softeners and boiler condensate water. Sanisub S ZPK is automatically triggered by its adjustable float.

Available in two versions, Sanisub S ZPK withstands water temperatures of up to 90°C for 5 minutes and can lift water up to 10 m high. It is suitable for removing water with solids from a particle size of 10mm to 30mm depending on the model.



## PERFORMANCE

- Max. Head : 10 m
- Max. Flow rate : 10 m³/h

## PRODUCT FEATURES & BENEFITS

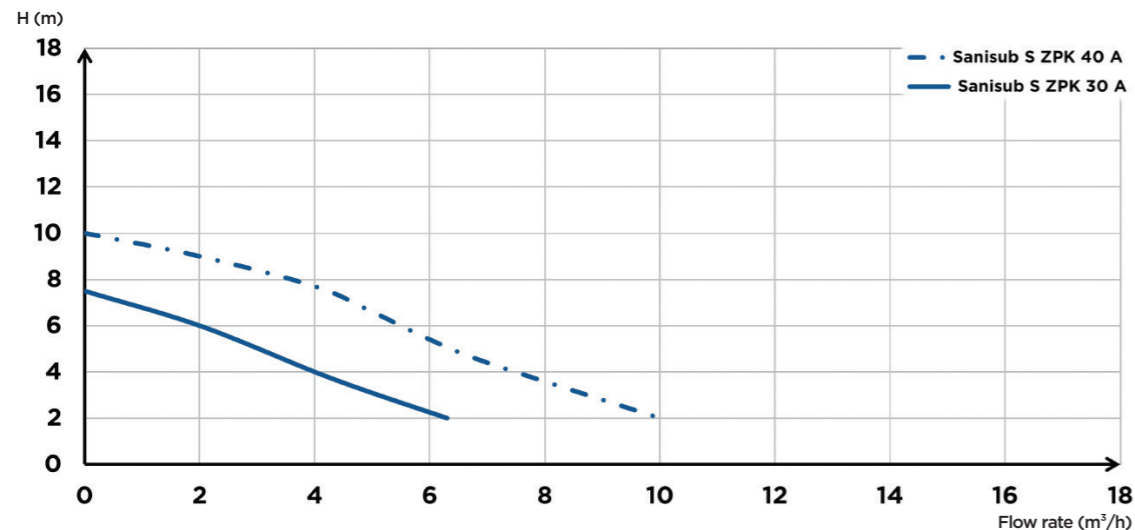
- Discharge of salt water
- Lifting height up to 10 m
- Particle size from 10 mm to 30 mm
- Resistant to hot water up to 90 °C (short periods)
- Adjustable float height

## PACKAGING

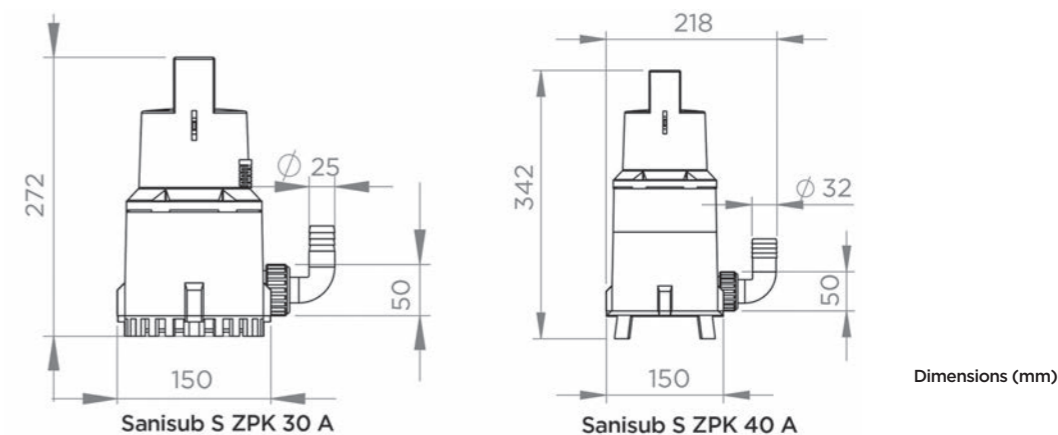
Sanisub S ZPK pump, 90° connection bend (30 A DN 25, 40 A DN 32), non-return valve, supply cable



## CURVE



## DIMENSIONS



	Sanisub S ZPK 30 A	Sanisub S ZPK 40 A
<b>Material</b>		
Shaft	Stainless steel	Stainless steel
Pump housing	PP GF	PP GF
Seal	Viton	Viton
Motor housing	Stainless steel	Stainless steel
Impeller	PA 6 GF	PA 6 GF
<b>Electrical features</b>		
Voltage (V)	230	230
Frequency (Hz)	50-60	50-60
Power consumption P1 (W)	300	850
Power output P2 (W)	130	430
Revolutions per minute (RPM)	2800	2800
Electrical class	I	I
Immersion depth (m)	5	5
Power cable: length (m)	10	10
<b>Hydraulics</b>		
Max. Head (m)	7.5	10
Max. Flow rate (m³/h)	7	10
Discharge diameter DN	25	32
Particle size (mm)	10	30
Max. Temperature of the pumped liquid (5 min max)	90°C	90°C
Type of impeller	Multi-channel	Multi-channel
Type of activation	Float	Float
<b>Identification and logistics</b>		
Gross weight (kg)	4.48	6.43
Barcode	3308815083209	3308815083216
Product code	22048	22049

# Sanipump Grinder or Vortex

The Sanipump Grinder and Sanipump Vortex are two pumps designed for the removal of domestic waste water from toilets, bathrooms, kitchens or laundry rooms. The Sanipump Grinder's Pro X K2 grinding system allows the discharge of waste water through small diameter pipe. Sanipump Vortex comes with a vortex impeller KX V6. It can remove solids up to 50 mm. The Sanipump uses a float activation system.



## PERFORMANCE

- Max. Head: 14 m
- Max. Flow rate: 27 m<sup>3</sup>/h

DEPENDING ON MODEL

## PRODUCT FEATURES & BENEFITS

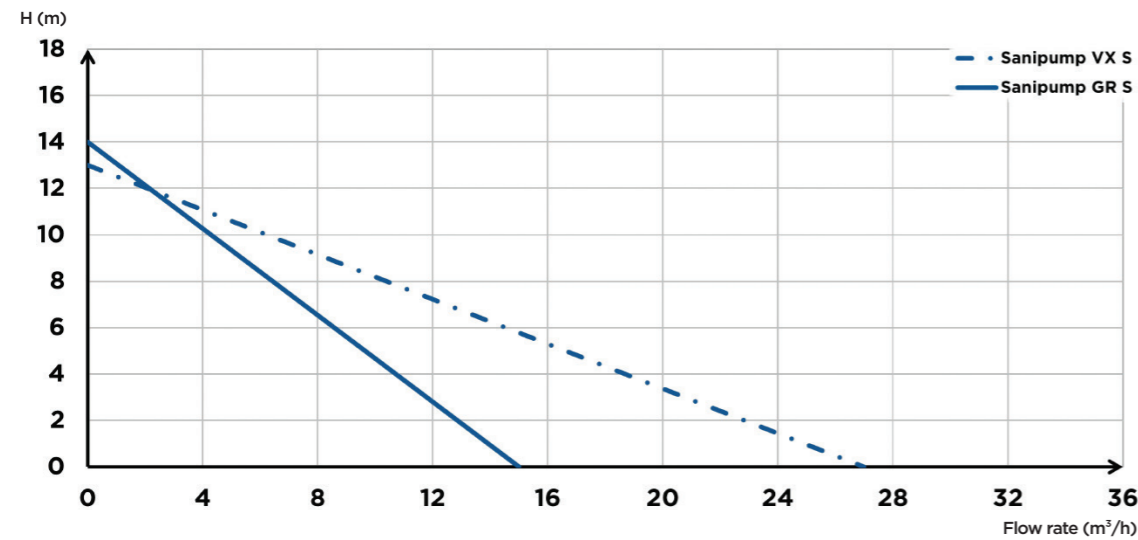
- Stand-alone operation
- 2 versions available, one with vortex technology and one with grinder technology
- Float activation system
- Maximum wastewater temperature: 70°C

## PACKAGING

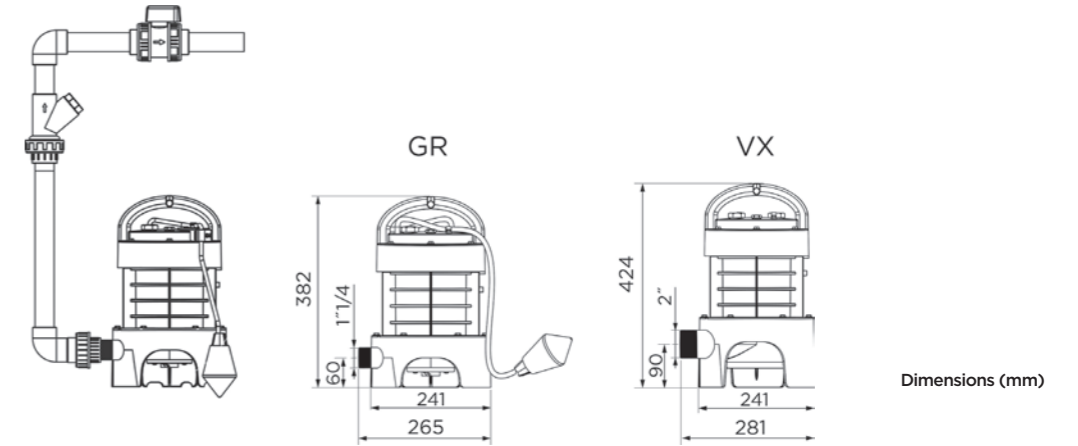
Sanipump with float activation



## CURVE



## DIMENSIONS



	Sanipump GR S	Sanipump VX S
<b>Material</b>		
Shaft	Stainless steel	Stainless steel
Pump housing	PA 6 GF	PA 6 GF
Seal	NBR	NBR
Foot	PA 6 GF	PA 6 GF
Motor housing	PA 6 GF	PA 6 GF
Impeller	PA 6 GF	PA 6 GF
<b>Electrical features</b>		
Voltage (V)	230	230
Frequency (Hz)	50-60	50-60
Power consumption P1 (W)	1500	1500
Power output P2 (W)	1050	1050
Revolutions per minute (RPM)	2800	2800
Electrical class	I	I
Motor insulation class	F	F
Duty cycle (unsubmerged)	S3 30%	S3 15%
Immersion depth (m)	5	5
Power cable: length (m)	10	10
Power cable: type of cable, section (mm <sup>2</sup> )	H07 RN-F 3G, 1.5	H07 RN-F 3G, 1.5
<b>Hydraulics</b>		
Max. Head (m)	14	13
Max. Flow rate (m <sup>3</sup> /h)	15	27
Discharge diameter G (inches)	1 1/4	2
ON level/OFF level (mm)	400/100	400/100
Max. Temperature of the pumped liquid (5 min max)	70°C	70°C
Type of impeller	Pro X K2 grinder	Vortex
Type of activation	Float	Float
<b>Identification and logistics</b>		
Gross weight (kg)	13	13
Barcode	3308815074610	3308815076201
Product code	30014	30015



# Sanipump ZPG 71

The Sanipump ZPG 71 is a cast iron submersible pump for pumping grey water and rainwater with a maximum lift height of 31 m and a free passage of 40 mm. Sanipump ZPG 71 can be installed in a manhole or pit. All accessories are available for installation on the floor or on a base.

Sanipump ZPG 71 is compatible with Sanifos 1600/2100/3100 and is available in 4 versions: 1 single-phase and 3 three-phase.



## PERFORMANCE

- Max. Head: 31 m
- Max. Flow rate: 43 m<sup>3</sup>/h

DEPENDING ON MODEL

## PRODUCT FEATURES & BENEFITS

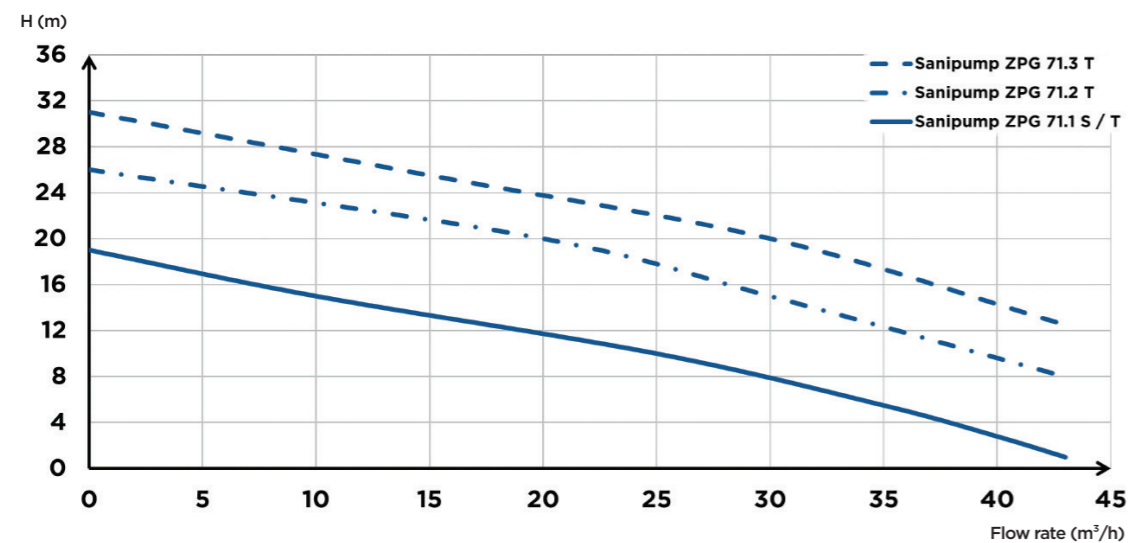
- Rainwater lifting
- S1 mode, if motor fully submerged
- Integrated stand
- Bi-channel impeller
- 40 mm free passage
- Available in 4 versions
- Compatible with Sanifos 1600/2100/3100

## PACKAGING

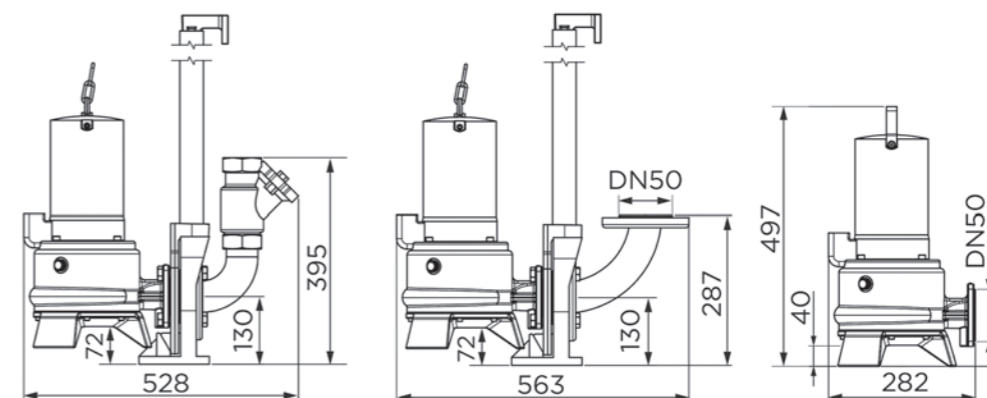
Sanipump ZPG pump, stand



## CURVE



## DIMENSIONS



	Sanipump ZPG 71.1 S	Sanipump ZPG 71.1 T	Sanipump ZPG 71.2 T	Sanipump ZPG 71.3 T
<b>Material</b>				
Shaft	Stainless steel	Stainless steel	Stainless steel	Stainless steel
Pump housing	GG-20	GG-20	GG-20	GG-20
Waterproofing	Carbon/ceramic	Carbon/ceramic	Carbon/ceramic	Carbon/ceramic
Foot	GG-20	GG-20	GG-20	GG-20
Motor housing	GG-20	GG-20	GG-20	GG-20
Impeller	GG-20	GG-20	GG-20	GG-20
<b>Electrical features</b>				
Voltage (V)	230	400	400	400
Frequency (Hz)	50-60	50-60	50-60	50-60
Power consumption P1 (W)	2200	2100	3900	3900
Power output P2 (W)	1600	1700	3200	3200
Revolutions per minute (RPM)	2800	2800	2800	2800
Electrical class	I	I	I	I
Motor insulation class	F	F	F	F
Duty cycle (submerged)	S1	S1	S1	S1
Duty cycle (unsubmerged)	S3 40%	S3 40%	S3 40%	S3 40%
Immersion depth (m)	5	5	5	5
Power cable: length (m)	10	10	10	10
Power cable: type of cable, section (mm <sup>2</sup> )	SIBN8-F, 1.5	SIBN8-F, 1.5	SIBN8-F, 1.5	SIBN8-F, 1.5
<b>Hydraulics</b>				
Max. Head (m)	19	19	26	31
Max. Flow rate (m <sup>3</sup> /h)	43	43	43	43
Discharge diameter DN	50	50	50	50
Particle size (mm)	40	40	40	40
Max. Temperature of the pumped liquid (5 min max)	70°C	70°C	70°C	70°C
Type of impeller	Two-channel	Two-channel	Two-channel	Two-channel
<b>Identification and logistics</b>				
Gross weight (kg)	38	40	44	46
Barcode	3308815081533	3308815081540	3308815081557	3308815081564
Product code	21857	21858	21859	21860

Key: S - Single phase, T - Three-phase

## ZFS/ZPG 71 COUPLING SYSTEM



HYDRO-00002  
12029

# Sanipump ZFS 71

The Sanipump ZFS 71 is a cast iron submersible pump for lifting waste water (collective sanitary facilities) up to a height of 39 m. Sanipump ZFS 71 is equipped with a grinder impeller. It is available in single-phase and three-phase versions and is compatible with Sanifos 1600/2100/3100.



## PERFORMANCE

- Max. Head: 39 m
- Max. Flow rate: 17 m<sup>3</sup>/h

DEPENDING ON MODEL

## PRODUCT FEATURES & BENEFITS

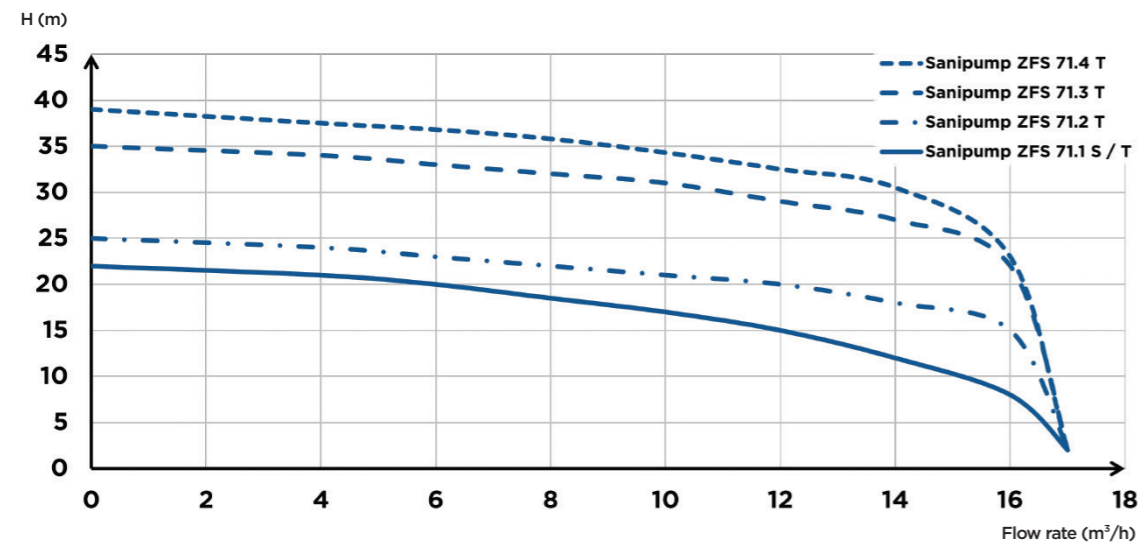
- Mode S1 (if motor fully immersed)
- ATEX pump
- 5 versions, single and three-phase
- Discharge in DN50
- Double mechanical seal
- Compatible with Sanifos 1600/2100/3100

## PACKAGING

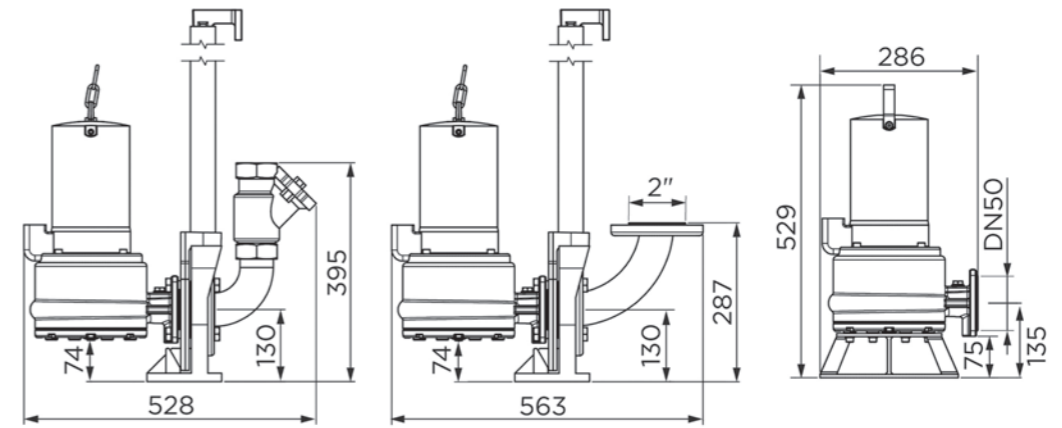
Sanipump ZFS pump



## CURVE



## DIMENSIONS



	Sanipump ZFS 71.1 S	Sanipump ZFS 71.1 T	Sanipump ZFS 71.2T	Sanipump ZFS 71.3T	Sanipump ZFS 71.4T
<b>Material</b>					
Shaft	Stainless steel	Stainless steel	Stainless steel	Stainless steel	Stainless steel
Pump housing	GG-20	GG-20	GG-20	GG-20	GG-20
Waterproofing	Carbon/ceramic	Carbon/ceramic	Carbon/ceramic	Carbon/ceramic	Carbon/ceramic
Foot	GG-20	GG-20	GG-20	GG-20	GG-20
Motor housing	GG-20	GG-20	GG-20	GG-20	GG-20
Impeller	GG-20	GG-20	GG-20	GG-20	GG-20
<b>Electrical features</b>					
Voltage (V)	230	400	400	400	400
Frequency (Hz)	50-60	50-60	50-60	50-60	50-60
Power consumption P1 (W)	2200	2100	2100	3900	3900
Power output P2 (W)	1600	1700	1700	3200	3200
Revolutions per minute (RPM)	2800	2800	2800	2800	2800
Electrical class	I	I	I	I	I
Motor insulation class	F	F	F	F	F
ATEX	Yes	Yes	Yes	Yes	Yes
Duty cycle (submerged)	S1	S1	S1	S1	S1
Duty cycle (unsubmerged)	S3 40%	S3 40%	S3 40%	S3 40%	S3 40%
Immersion depth (m)	5	5	5	5	5
Power cable: length (m)	10	10	10	10	10
Power cable: type of cable, section (mm <sup>2</sup> )	S1BN8-F, 1.5	S1BN8-F, 1.5	S1BN8-F, 1.5	S1BN8-F, 1.5	S1BN8-F, 1.5
<b>Hydraulics</b>					
Max. Head (m)	22	22	25	35	39
Max. Flow rate (m <sup>3</sup> /h)	17	17	17	17	17
Discharge diameter DN	50	50	50	50	50
Max. Temperature of the pumped liquid (5 min max)	70°C	70°C	70°C	70°C	70°C
Type of impeller	Pro X K3 grinder	Pro X K3 grinder	Pro X K3 grinder	Pro X K3 grinder	Pro X K3 grinder
<b>Identification and logistics</b>					
Gross weight (kg)	38	38	38	42	42
Barcode	3308815081571	3308815081588	3308815081595	3308815081601	3308815081618
Product code	21410	21411	21412	21413	21332

Key: S - Single phase, T - Three-phase

## ZFS/ZPG 71 COUPLING SYSTEM



HYDRO-00002  
12029



HYDRO-00001  
12019



# Sanipump SLD 700

The Sanipump SLD is a pump designed for high-flowing rainwater up to 48 m<sup>3</sup>/h. It is available in single-phase or three-phase with a free passage of 50 mm due to its high-performance two-channel impeller. A version with a base for installation in a manhole as well as drainage kits and accessories are available. When 2 pumps are installed, it is recommended that a ZPS control box and Aqua XL floats is installed.



## PERFORMANCE

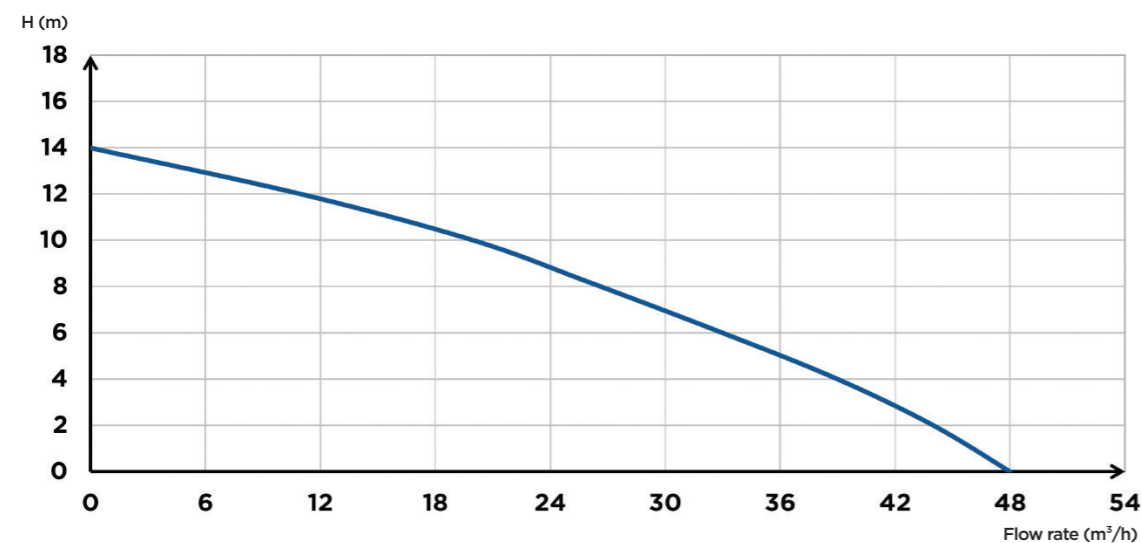
- Max. Head: 14 m
- Max. Flow rate: 48 m<sup>3</sup>/h

## PRODUCT FEATURES & BENEFITS

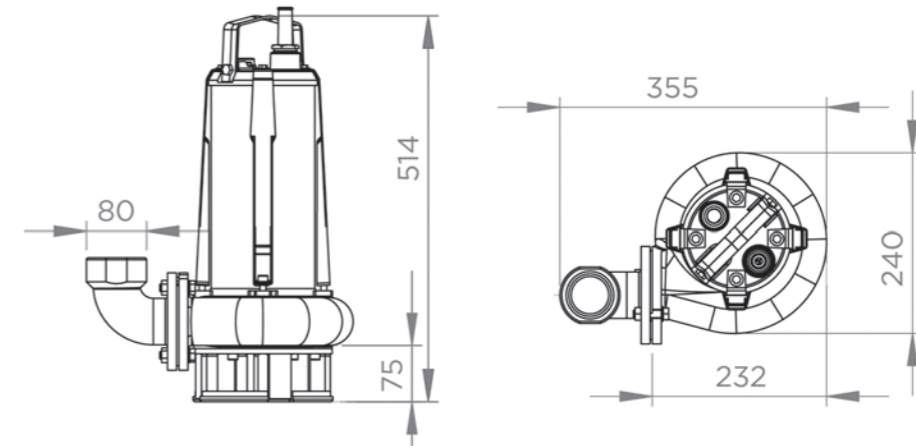
- High flow rates: up to 48 m<sup>3</sup>/hour
- Mode S1 (if motor fully submerged)
- Suitable for rainwater discharge
- Two-channel impeller with 50 mm free passage
- Single-phase or three-phase versions
- Base stand or coupling system



## CURVE



## DIMENSIONS



Dimensions (mm)

	Sanipump SLD 700 S	Sanipump SLD 700 SA	Sanipump SLD 700 T
<b>Material</b>			
Shaft	Stainless steel	Stainless steel	Stainless steel
Pump housing	EN-GJL-200	EN-GJL-200	EN-GJL-200
Waterproofing	Carbon/Ceramic/NBR	Carbon/Ceramic/NBR	Carbon/Ceramic/NBR
Foot	EN-GJL-200	EN-GJL-200	EN-GJL-200
Motor housing	EN-GJL-200	EN-GJL-200	EN-GJL-200
Impeller	EN-GJL-200	EN-GJL-200	EN-GJL-200
<b>Electrical features</b>			
Voltage (V)	230	230	400
Frequency (Hz)	50-60	50-60	50-60
Power consumption P1 (W)	2000	2000	2000
Power output P2 (W)	1100	1100	1100
RPM (revolution per minute)	2800	2800	2800
Electrical class	I	I	I
Motor insulation class	F	F	F
Duty cycle (submerged)	S1	S1	S1
Immersion depth (m)	20	20	20
Power cable : Length (m)	10	10	10
<b>Hydraulics</b>			
Max. Head (m)	14	14	14
Max. Flow rate. (m <sup>3</sup> /h)	48	48	48
Discharge diameter DN	50	50	50
Discharge diameter G (inch)	2	2	2
Particle size (mm)	50	50	50
Max. Temperature of the pumped liquid (5 min max)	70 °C	70 °C	70 °C
Type of impeller	Two-channel	Two-channel	Two-channel
Type of activation	-	Float	-
<b>Identification and logistics</b>			
Gross weight (kg)	32.5	32.8	31
Barcode	3308815084015	3308815083988	3308815084060
Product code	31009	31010	31011

# Sanipump VX 50

The Sanipump VX 50 is a cast iron submersible pump which can remove black water and rainwater up to a maximum height of 16 m and has a discharge diameter of DN 50. Sanipump VX 50 can be installed in a manhole or a pit and is available as a portable or stationary version. Sanipump VX 50 is compatible with Sanifos 1600/2100/3100 and is available in 12 versions: 8 single-phase (including 4 automatic) and 4 three-phase.



## PERFORMANCE

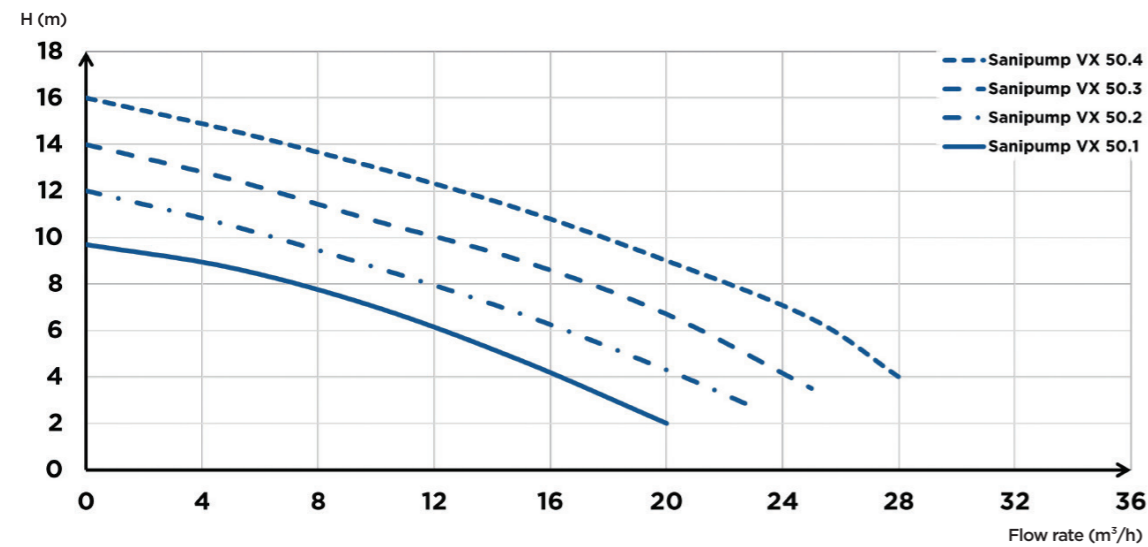
- Max. Head: 16 m
- Max. Flow rate: 29 m<sup>3</sup>/h

## PRODUCT FEATURES & BENEFITS

- Vortex impeller
- DN 50 outlet
- 12 versions, single and three-phase
- S1 mode (if motor fully submersed)
- Available in portable or stationary version
- Compatible with Sanifos 1600/2100/3100

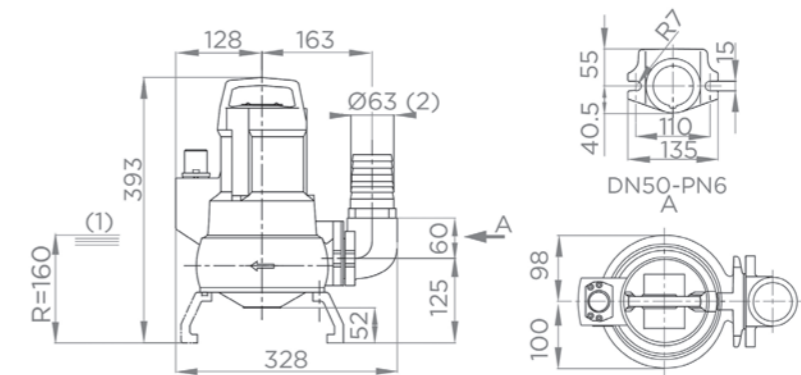


## CURVE



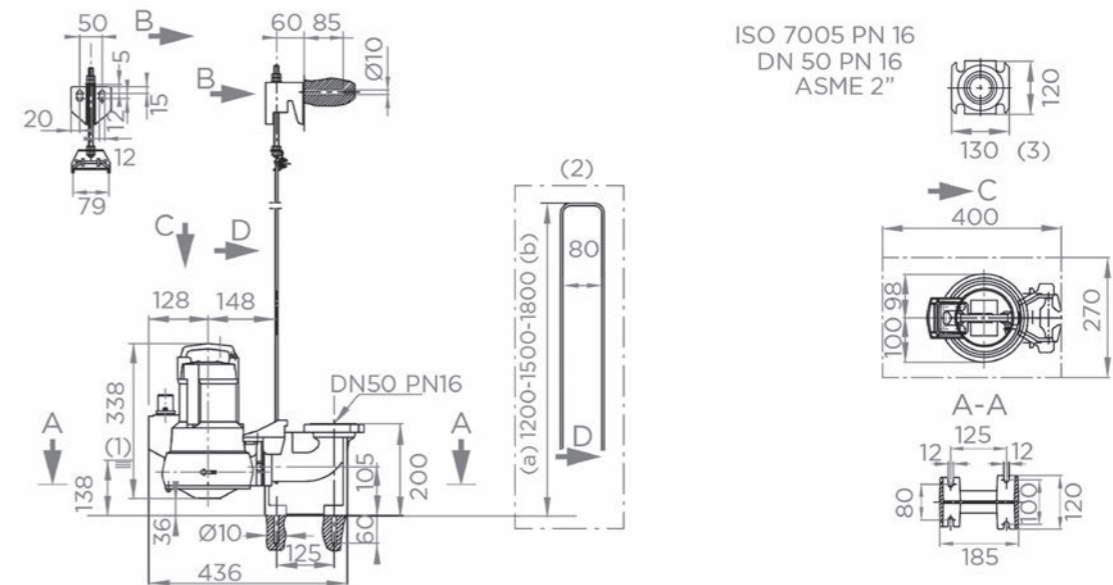
## DIMENSIONS

### Installation with the portable kit



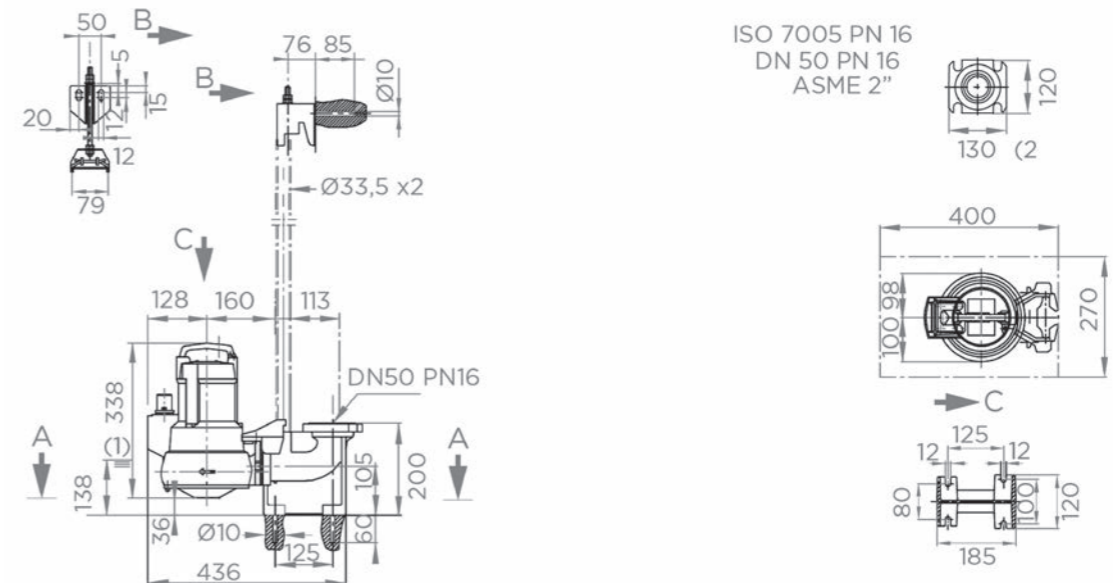
(1) Lowest stopping point (2) Diameter of inner flexible hose: 63mm

### Permanent installation with guide rail, base and elbow DN 50/50



(1) Lowest stopping point (2) Stirrup (3) Elbow flange (a) Minimum (b) Maximum

### Permanent installation with guide rail, base and elbow DN 50/50



(1) Lowest stopping point (2) Elbow flange



	Sanipump VX 50.1 S	Sanipump VX 50.1 SA	Sanipump VX 50.1 T	Sanipump VX 50.2 S	Sanipump VX 50.2 SA	Sanipump VX 50.2 T
<b>Material</b>						
Shaft	Stainless steel	Stainless steel	Stainless steel	Stainless steel	Stainless steel	Stainless steel
Pump housing	EN-GJL-250	EN-GJL-250	EN-GJL-250	EN-GJL-250	EN-GJL-250	EN-GJL-250
Motor seal	Shaft seal ring	Shaft seal ring	Shaft seal ring	Shaft seal ring	Shaft seal ring	Shaft seal ring
Pump seal	SIC/AI203	SIC/AI203	SIC/AI203	SIC/AI203	SIC/AI203	SIC/AI203
Motor housing	EN-GJL-250	EN-GJL-250	EN-GJL-250	EN-GJL-250	EN-GJL-250	EN-GJL-250
Impeller	EN-GJL-250	EN-GJL-250	EN-GJL-250	EN-GJL-250	EN-GJL-250	EN-GJL-250
<b>Electrical features</b>						
Voltage (V)	230	230	400	230	230	400
Frequency (Hz)	50	50	50	50	50	50
Power consumption P1 (W)	1000	1000	900	1250	1250	1100
Power output P2 (W)	550	550	550	750	750	750
Revolution per minute (RPM)	2800	2800	2800	2800	2800	2800
Electrical class	I	I	I	I	I	I
Motor insulation class	F	F	F	F	F	F
Duty cycle (submerged)	S1	S1	S1	S1	S1	S1
Max. number of starts per hour	15	15	15	15	15	15
Immersion depth (m)	10	10	10	10	10	10
Power cable : Length (m)	10	10	10	10	10	10
Power cable : Type of cable, Section	HO7 RN8-F, 3x1 mm <sup>2</sup>	HO7 RN8-F, 3x1 mm <sup>2</sup>	HO7 RN8-F, 4x1 mm <sup>2</sup>	HO7 RN8-F, 3x1 mm <sup>2</sup>	HO7 RN8-F, 3x1 mm <sup>2</sup>	HO7 RN8-F, 4x1 mm <sup>2</sup>
<b>Hydraulics</b>						
Max. Head (m)	9	9	9	12	12	12
Max. Flow rate (m <sup>3</sup> /h)	20	20	20	23	23	23
Discharge diameter DN	50	50	50	50	50	50
Particle size (mm)	45	45	45	45	45	45
Max. Temperature of the pumped liquid (5 min max)	40 °C	40 °C	40 °C	40 °C	40 °C	40 °C
Type of impeller	Vortex	Vortex	Vortex	Vortex	Vortex	Vortex
Type of activation	-	Float	-	-	Float	-
<b>Identification and logistics</b>						
Gross weight (kg)	22	23	22	23	23	23
Barcode	3308815090139	3308815090146	3308815090153	3308815090160	3308815090177	3308815090184
Product code	31012	31013	31014	31015	31016	31017

	Sanipump VX 50.3 S	Sanipump VX 50.3 SA	Sanipump VX 50.3 T	Sanipump VX 50.4 S	Sanipump VX 50.4 SA	Sanipump VX 50.4 T
<b>Material</b>						
Shaft	Stainless steel	Stainless steel	Stainless steel	Stainless steel	Stainless steel	Stainless steel
Pump housing	EN-GJL-250	EN-GJL-250	EN-GJL-250	EN-GJL-250	EN-GJL-250	EN-GJL-250
Motor seal	Shaft seal ring	Shaft seal ring	Shaft seal ring	Shaft seal ring	Shaft seal ring	Shaft seal ring
Fluid sealing	SIC/AI203	SIC/AI203	SIC/AI203	SIC/AI203	SIC/AI203	SIC/AI203
Motor housing	EN-GJL-250	EN-GJL-250	EN-GJL-250	EN-GJL-250	EN-GJL-250	EN-GJL-250
Impeller	EN-GJL-250	EN-GJL-250	EN-GJL-250	EN-GJL-250	EN-GJL-250	EN-GJL-250
<b>Electrical features</b>						
Voltage (V)	230	230	400	230	230	400
Frequency (Hz)	50	50	50	50	50	50
Power consumption P1 (W)	1800	1800	1500	1800	1800	2050
Power output P2 (W)	1100	1100	1100	1100	1100	1500
Revolution per minute (RPM)	2800	2800	2800	2800	2800	2800
Electrical class	I	I	I	I	I	I
Motor insulation class	F	F	F	F	F	F
Duty cycle (submerged)	S1	S1	S1	S1	S1	S1
Max. number of starts per hour	15	15	15	15	15	15
Immersion depth (m)	10	10	10	10	10	10
Power cable : Length (m)	10	10	10	10	10	10
Power cable : Type of cable, Section	HO7 RN8-F, 3x1 mm <sup>2</sup>	HO7 RN8-F, 3x1 mm <sup>2</sup>	HO7 RN8-F, 4x1 mm <sup>2</sup>	HO7 RN8-F, 3x1 mm <sup>2</sup>	HO7 RN8-F, 3x1 mm <sup>2</sup>	HO7 RN8-F, 4x1 mm <sup>2</sup>
<b>Hydraulics</b>						
Max. Head (m)	14	14	14	16	16	16
Max. Flow rate (m <sup>3</sup> /h)	25.5	25.5	25.5	29	29	29
Discharge diameter DN	50	50	50	50	50	50
Particle size (mm)	43	43	43	41	41	41
Max. Temperature of the pumped liquid (5 min max)	40 °C	40 °C	40 °C	40 °C	40 °C	40 °C
Type of impeller	Vortex	Vortex	Vortex	Vortex	Vortex	Vortex
Type of activation	-	Float	-	-	Float	-
<b>Identification and logistics</b>						
Gross weight (kg)	23	23	22	23	23	23
Barcode	3308815090191	3308815090207	3308815090214	3308815090221	3308815090238	3308815090245
Product code	31018	31019	31020	31021	31022	31023

## TRANSPORTATION KIT FOR THE SANIPUMP VX 50

Transportation Kit Sanipump VX 50



3308815090320  
Product code 21500  
Transportation Kit

## SANIPUMP VX 50 BASE GUIDE BAR

Base for Sanipump VX 50 guide bar (Bar not supplied)



3308815090368  
Product code 21501  
Base for Single bar (delivered without bar)

## SANIPUMP VX 50 COUPLING SYSTEM

Base for Sanipump VX 50 and guide bracket 120 provided for pit of maximum depth 1.5m.

3308815090337  
Product code 21502  
Stirrup guide base 120

Base for Sanipump VX 50 and guide bracket 150 provided for pit of maximum depth 1.8m.



3308815090344  
Product code 21503  
Coupling system 150

Base for Sanipump VX 50 and guide bracket 180 provided for pit of maximum depth 2.1m.

3308815090351  
Product code 21504  
Coupling system 180

# Sanipump VX 65/80

The Sanipump VX 65/80 are cast iron submersible pumps designed for the removal of black water and rainwater up to a maximum height of 35 m. They are equipped with a vortex impeller with a diameter of 120 to 190 mm, depending on the model, and an outlet in DN 65 or DN 80. Stationary installation on a DN 65, 80 or 100 is possible with the addition of a base. Sanipump VX 65/80 can be installed in a manhole or a pit.



## PERFORMANCE

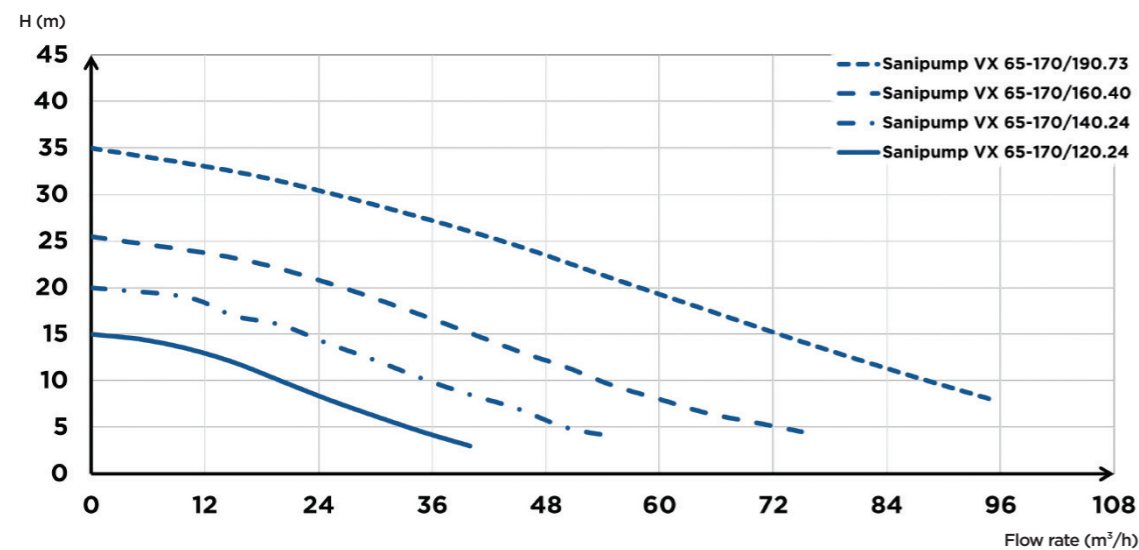
- Max. Head: 35 m
- Max. Flow rate: 110 m<sup>3</sup>/h

## PRODUCT FEATURES & BENEFITS

- Vortex impeller
- DN 50 outlet
- 12 versions, single and three-phase
- S1 mode (if motor fully submersed)
- Available in transportable or stationary version
- Compatible with Sanifos 1600/2100/3100

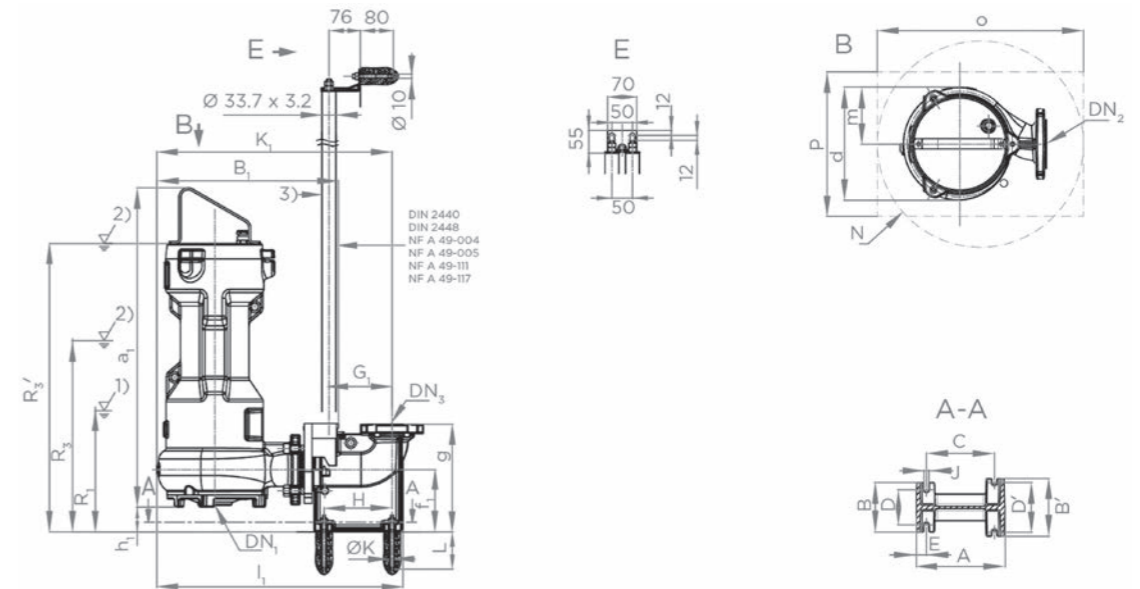


## CURVE



## DIMENSIONS

### Sanipump VX 65 - Permanent installation with 2 guide rails



(1) Lowest stop level in automatic operation (2) Minimum submergence in continuous service (3) Not Provided by SFA

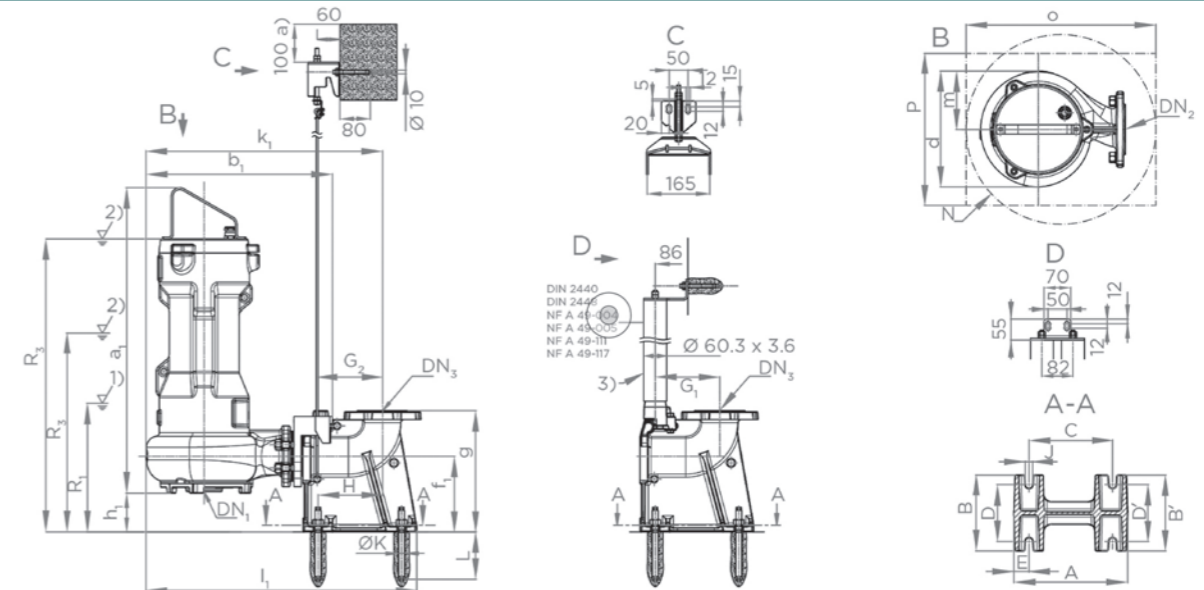
Pump unit dimensions (mm)

Pump power	DN <sub>1</sub>	DN <sub>2</sub>	a <sub>1</sub>	b <sub>1</sub>	d	D <sub>r</sub>	f <sub>1</sub>	g	g <sub>r</sub>	h <sub>1</sub>	H <sub>r</sub>	k <sub>1</sub>	k <sub>r</sub>	l <sub>1</sub>	m	Z <sub>r</sub>	R1	R3'
.24 & .40	65	65	691	440	274	170	151	261	118	60	170	569	145	595	138	4	245	636
.73	65	65	763	440	274	170	151	261	118	60	170	569	145	595	138	4	357	688

Foundation block dimensions (mm)

Pump power	DN <sub>1</sub>	A	B	B'	C	D	D'	E	G <sub>1</sub>	H	J	ØK	L	N min.	O min.	P min.
.24 & .40	65	216	120	140	165	85	120	25	153	165	12	10	90	550	550	400
.73	65	216	120	140	165	85	120	25	153	165	12	10	90	550	550	400

### Sanipump VX 80 - Permanent installation with 2 guide rails



(1) Lowest stop level in automatic operation (2) Minimum submergence in continuous service (3) Not Provided by SFA

Pump unit dimensions (mm)

Pump power	DN <sub>1</sub>	DN <sub>2</sub>	a <sub>1</sub>	b <sub>1</sub>	d	D <sub>r</sub>	f <sub>1</sub>	g	g <sub>r</sub>	h <sub>1</sub>	H <sub>r</sub>	k <sub>1</sub>	k <sub>r</sub>	l <sub>1</sub>	m	Z <sub>r</sub>	R1	R3'
.40	80	80	701	492	305	160	200	320	132	103	200	623	160	713	154	4	298	689
.49 & .73	80	65	774	492	305	160	200	320	132	103	200	623	160	713	154	4	411	742

Foundation block dimensions (mm)

Pump power	DN <sub>1</sub>	A	B	B'	C	D	D'	E	G <sub>1</sub>	G <sub>2</sub>	H	J	ØK	L	N min.	O min.	P min.
.40	80	300	200	200	220	150	150	40	170	173	170	20	18	125	580	580	400
.49 & .73	80	300	200	200	220	150	150	40	170	173	170	20	18	125	580	580	400



	Sanipump VX 65-170/120.24	Sanipump VX 65-170/140.24	Sanipump VX 65-170/160.40	Sanipump VX 65-170/190.73
<b>Material</b>				
Shaft	Stainless steel	Stainless steel	Stainless steel	Stainless steel
Pump housing	EN-GJL-250	EN-GJL-250	EN-GJL-250	EN-GJL-250
Motor seal	SIC/SIC/NBR	SIC/SIC/NBR	SIC/SIC/NBR	SIC/SIC/NBR
Pump seal	Carbon/Al203	Carbon/Al203	Carbon/Al203	Carbon/Al203
Motor housing	EN-GJL-250	EN-GJL-250	EN-GJL-250	EN-GJL-250
Impeller	EN-GJL-250	EN-GJL-250	EN-GJL-250	EN-GJL-250
<b>Electrical features</b>				
Voltage (V)	400	400	400	400
Frequency (Hz)	50	50	50	50
Power consumption P1 (W)	2950	2950	4860	8720
Power output P2 (W)	2400	2400	4000	7300
Revolutions per minute (RPM)	2900	2900	2900	2900
Electrical class	I	I	I	I
Motor insulation class	F	F	F	F
Duty cycle (submerged)	S1	S1	S1	S1
Max. number of starts per hour	30	30	30	30
Immersion depth (m)	25	25	25	25
Power cable (m)	10	10	10	10
Power cable: type of cable, section (mm <sup>2</sup> )	H07 RN8-F, 4x1 mm <sup>2</sup>	H07 RN8-F, 4x1 mm <sup>2</sup>	H07 RN8-F, 4x1 mm <sup>2</sup>	H07 RN8-F, 4x1 mm <sup>2</sup>
<b>Hydraulics</b>				
Max. Head (m)	15	20	26	35
Max. Flow rate (m <sup>3</sup> /h)	44	56	76	96
Discharge diameter DN	65	65	65	65
Free passage (mm)	65	65	65	65
Max. Temperature of the pumped liquid (5 min max)	40 °C	40 °C	40 °C	40 °C
Type of impeller	Vortex	Vortex	Vortex	Vortex
<b>Identification and logistics</b>				
Gross weight (kg)	65	65	69	91
Barcode	3308815090252	3308815090269	3308815090276	3308815090283
Product code	31024	31025	31026	31027

	Sanipump VX 80-220/160.40	Sanipump VX 80-220/170.49	Sanipump VX 80-220/190.73
<b>Material</b>			
Shaft	Stainless steel	Stainless steel	Stainless steel
Pump housing	EN-GJL-250	EN-GJL-250	EN-GJL-250
Motor seal	SIC/SIC/NBR	SIC/SIC/NBR	SIC/SIC/NBR
Pump seal	Carbon/Al203	Carbon/Al203	Carbon/Al203
Motor housing	EN-GJL-250	EN-GJL-250	EN-GJL-250
Impeller	EN-GJL-250	EN-GJL-250	EN-GJL-250
<b>Electrical features</b>			
Voltage (V)	400	400	400
Frequency (Hz)	50	50	50
Power consumption P1 (W)	4860	5830	8720
Power output P2 (W)	4000	4900	7300
Revolutions per minute (RPM)	2900	2900	2900
Electrical class	I	I	I
Motor insulation class	F	F	F
Duty cycle (submerged)	S1	S1	S1
Max. number of starts per hour	30	30	30
Immersion depth (m)	25	25	25
Power cable (m)	10	10	10
Power cable: type of cable, section (mm <sup>2</sup> )	H07 RN8-F, 4x1 mm <sup>2</sup>	H07 RN8-F, 4x1 mm <sup>2</sup>	H07 RN8-F, 4x1 mm <sup>2</sup>
<b>Hydraulics</b>			
Max. Head (m)	21	24	30
Max. Flow rate (m <sup>3</sup> /h)	80	95	110
Discharge diameter DN	80	80	80
Free passage (mm)	80	80	80
Max. Temperature of the pumped liquid (5 min max)	40 °C	40 °C	40 °C
Type of impeller	Vortex	Vortex	Vortex
<b>Identification and logistics</b>			
Gross weight (kg)	73	91	96
Barcode	3308815090290	3308815090306	3308815090313
Product code	31028	31029	31030

### BASE FOR DN 65

Base for DN 65 Guide bars not supplied but the unit is compatible with 2 bars 33.7 x 3.2



3308815090375  
**Product code 21505**  
 Base for DN 65 2 guide bars (delivered without bar)

### BASE FOR DN 80

Base for DN 80 Guide bars not supplied but the unit is compatible with 2 bars 60.3 x 3.6



3308815090382  
**Product code 21507**  
 Base for DN 80 2 guide bars (delivered without bar)

### BASE FOR DN 65/80

Base for DN 65/80 Guide bars not supplied but the unit is compatible with 2 bars 33.7 x 3.2



3308815090399  
**Product code 21506**  
 Base for DN 65/80 2 guide bars (delivered without bar)

### BASE FOR DN 80/100

Base for DN 80/100 - Base for DN 80/100 Guide bars not supplied but the unit is compatible with 2 bars 60.3 x 3.6

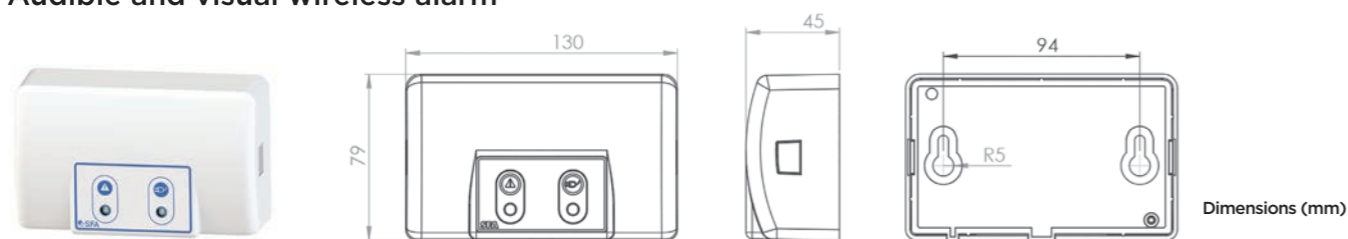


3308815090405  
**Product code 21508**  
 Base for DN 80/100 2 guide bars (delivered without bar)

## Alarms and control boxes

### Alarms

#### Audible and visual wireless alarm



The wired alarm box allows monitoring of the station from an adjoining room via a 5 m cable. The alarm gives a warning of an abnormally high water level or of an electrical fault in the station.

- \* Protection class IP44
- \* 5 m of cable

Product	Barcode	Product code	Compatible with	Standard or Optional
Sanicom 1 wired alarm box	3308815083384	30520	Sanicom 1	Optional
Wired alarm box	3308815084107	30521	Sanicom 2	Optional
Wired alarm box	-	-	Sanicubic 1/1 VX/2 Classic/2 Pro/2VX Sanifos 610 2 pumps Sanifos 1300 2 pumps	Standard

#### Sanifos wired alarm



The Sanifos alarm is a kit consisting of an audible and visual alarm box and a float.

Product	Barcode	Product code	Compatible with	Standard or Optional
Wired alarm	3308815081625	40501	Sanifos 280 1 pump Sanifos 610 single phase, 1 pump	Optional

#### HF alarm

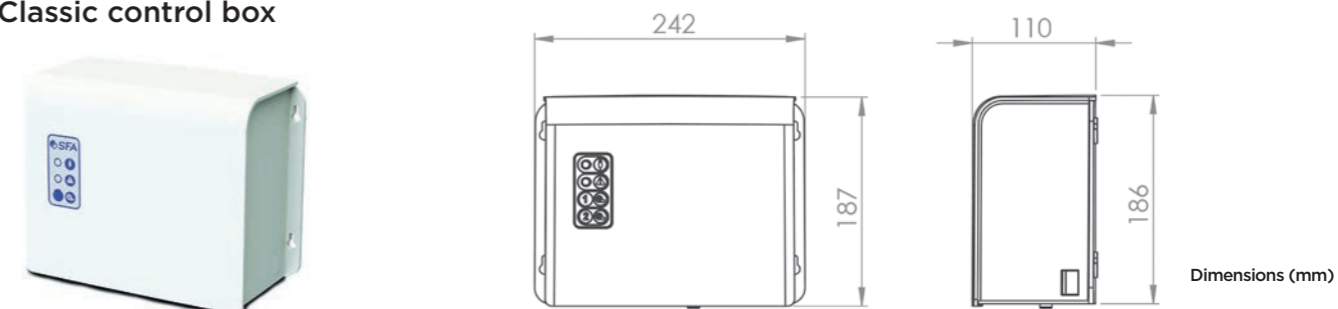


The 868 MHz HF alarm (radio transmission) monitors the correct operation of your station and has a range of 100 m. It gives information on the status of the station in real time.

Product	Barcode	Product code	Compatible with	Standard or Optional
HF alarm	-	-	Sanicubic 2 Pro	Standard

### Control boxes

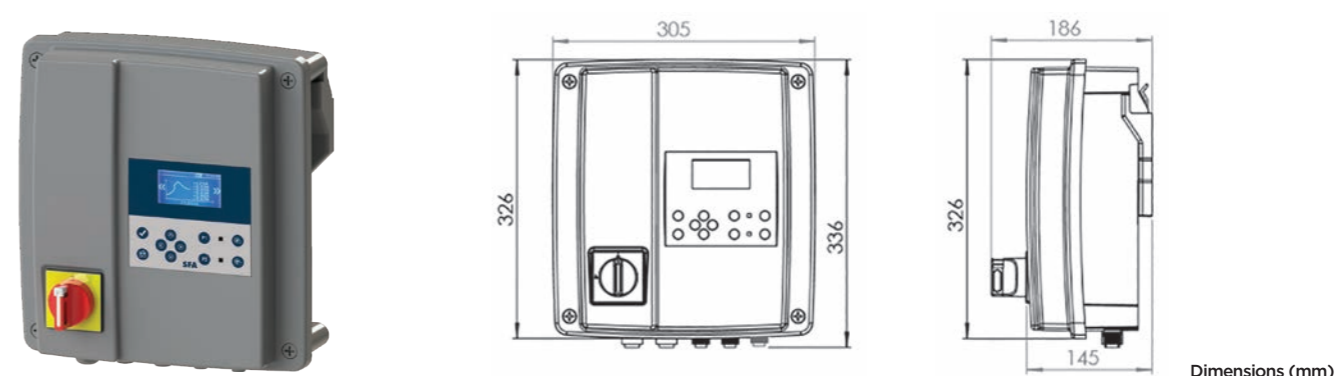
#### Classic control box



The control box comes with a 4 m cable allowing it to be installed away from the unit. It allows the monitoring of your lifting station with the facility of activating a manual start if needed. A visual and audible alarm is triggered in the event of an abnormally high water level in the tank or in the event of a power failure.

Product	Barcode	Product code	Compatible with	Standard or Optional
Classic control box	-	-	Sanicom 2 Sanicubic 1 Sanicubic 1 VX Sanicubic 2 Classic Sanicubic 2 Pro Sanicubic 2 VX	Standard

#### Smart control box



The Smart box is a control and monitoring solution that has connectors for a simple installation. The interface, allows easy use and management of the station and real time information of the units activity and operating history. This control box is used to modify the pump management parameters.

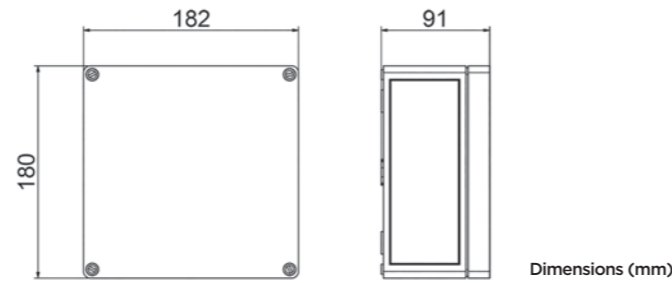
Product	Barcode	Product code	Compatible with	Standard or Optional
Smart control box	-	-	Sanicubic 2 Pro, Sanicubic 2 VX Smart, Sanifos 610 2 pump, Sanifos 1300	Standard



ZPS control boxes



ZPS 1 control box      ZPS 2 control box



ZPS control boxes are available in 8 models depending on whether they control 1 or 2 pumps, single or three-phase and finally if the control is pneumatic or with a float (for configuration with Sanifos 1600/2100/3100, see page 74).

Equipped with an integrated audible and visual alarm, they display the operating states of the pump(s) by text messages and indicator light. The internal memory stores up to 64 messages. Operation is automatic in the case of a single pump, and alternately for dual pump stations, with engagement of the second pump if necessary. The level control is via a pressure transducer, float switch or 4-20 mA interface for external sensor. The display also shows operating hours and power consumption as well as maintenance intervals. Wall mounting provided.

Product	Barcode	Product code	Compatible with
ZPS 1 S PNEUMATIC CONTROL BOX	3308815081793	21863	Sanicubic 1 GR/SC, Sanipump ZFS/ZPG/SLD x1
ZPS 2 S PNEUMATIC CONTROL BOX	3308815081809	21864	Sanicubic 2 GR/SC, Sanipump ZFS/ZPG/SLD x2
ZPS 1 T PNEUMATIC CONTROL BOX	3308815081816	21884	Sanicubic 1 GR/SC, Sanipump ZFS/ZPG/SLD x1
ZPS 2 T PNEUMATIC CONTROL BOX	3308815081823	21885	Sanicubic 2 GR/SC, Sanipump ZFS/ZPG/SLD x2
ZPS 1 S FLOAT CONTROL BOX	3308815081830	21865	Sanicubic 1 GR/SC, Sanipump ZFS/ZPG/SLD x1
ZPS 2 S FLOAT CONTROL BOX	3308815081847	21866	Sanicubic 2 GR/SC, Sanipump ZFS/ZPG/SLD x2
ZPS 1 T FLOAT CONTROL BOX	3308815081854	21867	Sanicubic 1 GR/SC, Sanipump ZFS/ZPG/SLD x1
ZPS 2 T FLOAT CONTROL BOX	3308815081878	21868	Sanicubic 2 GR/SC, Sanipump ZFS/ZPG/SLD x2

PS 2 control box

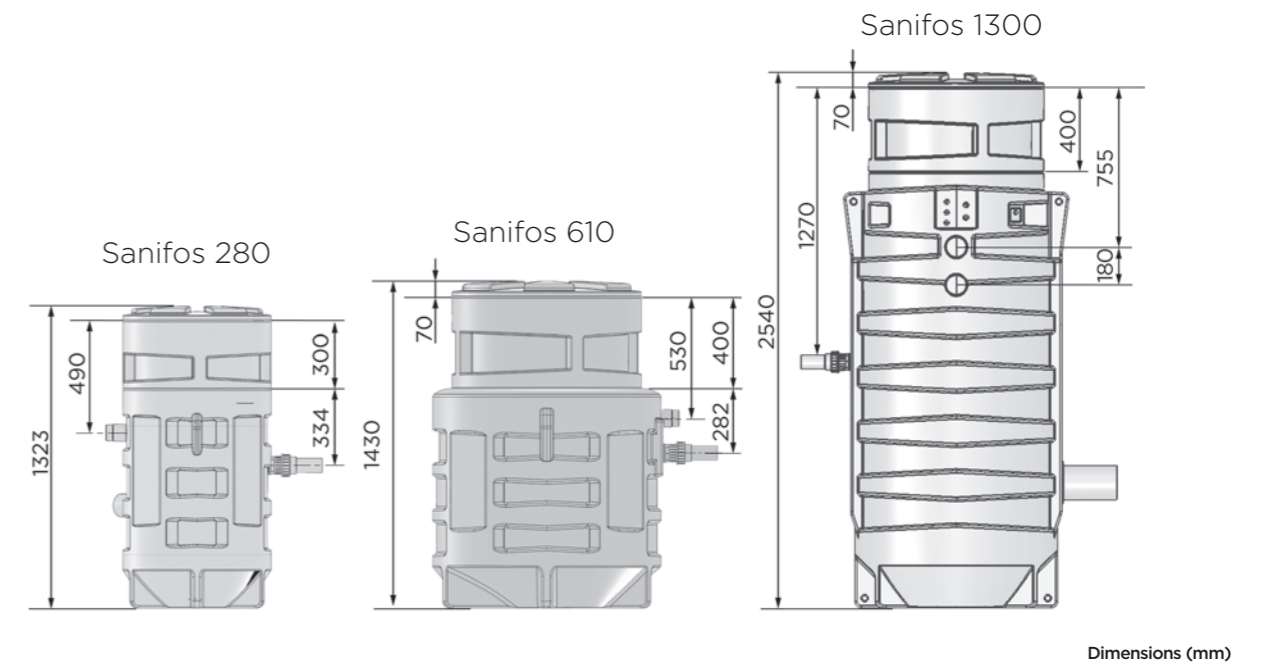


- Control system consisting of a control box incorporated in the door of the electrical cabinet and a control unit clipped onto a rail.
- Ability to connect various level sensors
- Complete management of pump operation via LCD screen and digital potentiometer.
- 8 LEDs show pump states and faults.
- Dimensions: L 600 x H 600 x D 210 mm.

Product	Barcode	Product code	Compatible with	
PS 2 control box	-	-	Sanicubic SC7.5T	Standard

Sanifos accessories







Dimensions Sanifos 280/610/1300 with extension



Product name	Product	110	280	610 1300	1600 2100 3100	Product code	Barcode
Cover A					X	16035	3308815081946
Cover B					X	16038	3308815081953
Cover D					X	16044	3308815081960
Cover D + GAC 600					X	30513	3308815082677
Cover D + GAC 800					X	30514	3308815082684
Aqua XL float 10m					X	41000	3308815082691
Aqua XL float 20m					X	41001	3308815082707
Complete outdoor cabinet Type 1					X	12082	3308815082394
Complete outdoor cabinet Type 3				X	X	12085	3308815082400
Sanifos extension 610/1300				X		40503	3308815077826
Sanifos extension 280			X			40502	3308815081298
150 kg non-equipped jib crane					X	30511	3308815082905
150 kg jib crane equipped with a winch					X	30510	3308815082899
Ground fixing base for 150 kg jib crane					X	30512	3308815082912
Sanifos 110 evacuation kit		X				40500	3308815077024
Sanipump VX 50 coupling claw					X	21509	3308815090665

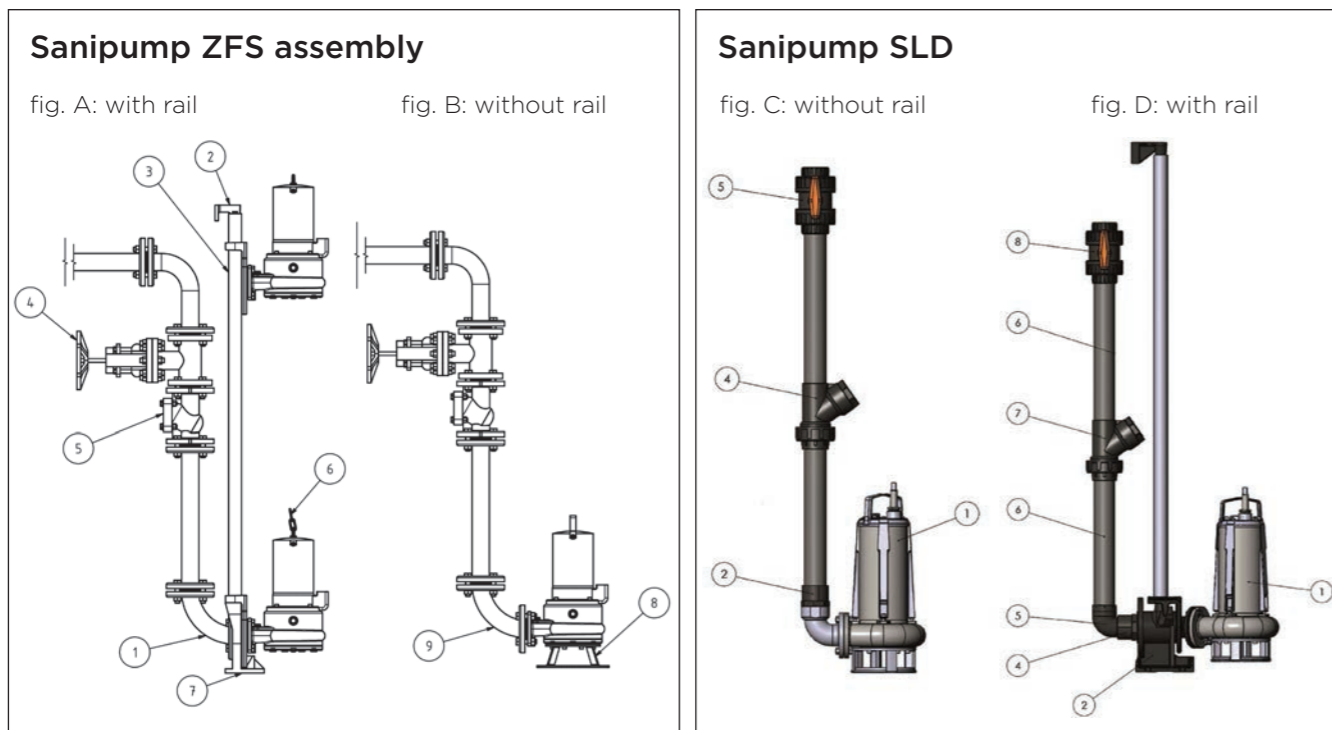
## Sanicubic accessories

Product name	Product	GR	SC	1, 2 Classic, 2 Pro, 1 VX, 2 VX	Product code	Barcode
Cast iron isolation valve DN50		X			10646	3308815082042
Cast iron isolation valve DN100		X	X		10649	3308815082165
Cast iron isolation valve DN125		X	X		10650	3308815082172
Cast iron isolation valve DN150		X	X		10651	3308815082189
2" non-return ball valve IG GG PN10		X	X		12104	3308815082127
Cast iron check ball valve DN100		X	X		14398	3308815082196
DN125/100 reducer, PE with flange		X	X		10452	3308815082202
DN150/100 reducer, PE with flange		X	X		10453	3308815082219
Y pipe connection DN100/100 / 100PE (for 2 pump models)		X	X		11999	3308815082226
Hose connection 1 1/4" VA (for Sanicubic 2 GR SE 71)		X			17755	3308815082233
1 1/2" manual diaphragm pump		X	X		10430	3308815082240
Cast iron non-return valve DN50		X			14394	3308815082035
Mounting accessories DN50 VA (inox)		X			15438	3308815082271

Product name	Product	GR	SC	1, 2 Classic, 2 Pro, 1 VX, 2 VX	Product code	Barcode
Mounting accessories DN100 VA (inox)		X	X		15441	3308815082332
Mounting accessories DN150 VA (inox)		X	X		15443	3308815082370
Brass 2" isolation valve				X (Not VX)	30501	
Slice gate valve DN50				X	30504	3308815061030
Slice gate valve DN100				X	30502	3308815061023
Ball shut-off valve DN100				X (2 VX)	30503	3308815066820
Sanicubic carbon filter				X (not VX)	31001	3308815076867
Sanicubic carbon filter				X (VX)	31002	3308815076874



# Submersible accessories



Product name	Product	Sub Steel	Sub ZPK	ZPG	ZFS	Product code	Barcode	Drawing number
ZFS floor installation kit					X	12019	3308815081977	Fig. B 8
ZFS / ZPG 71 coupling system				X	X	12029	3308815081984	Fig. A: 2 & 7
Non-return valve 1 1/4" PE DN32			X			14393	3308815082455	
Outlet elbow with integrated valve			X			17016	3308815082462	
Cast iron valve 1 1/4"			X	X	X	10638	3308815082479	
90 degree elbow connection DN50 PE				X	X	11927	3308815081991	Fig. A 1, Fig. B 9

Product name	Product	Sub Steel	Sub ZPK	ZPG	ZFS	SLD	VX50	VX65	VX80	Product code	Barcode	Drawing number
Mounting accessories DN 50 VA 16x60				X	X	X				21510	3308815082271	
Accessories for standard 2" drainage kit						X				21511	3308815084022	
Accessories for discharge kit 2" coupling system						X				21512	3308815084039	
Threaded flange DN50 IG 2" VZ PN10 / 16				X	X	X				12101	3308815082110	
Stainless steel lifting chain sold by the metre				X	X	X				10420	3308815082066	
Check ball valve DN 65 cast iron								X		21513	3308815090498	
Check ball valve DN 80 cast iron								X		21514	3308815090511	
Check ball valve DN 100 cast iron								X		21515	3308815082196	
Non-return valve 1 1/4" PE DN32			X							14393	3308815082455	
Cast iron locking valve DN50				X	X		X			10638	3308815082479	A5
2" non-return ball valve IG GG PN10				X	X	X				12104	3308815082127	
Discharge pipe DN50 1 m PE 1x flange				X	X	X				12048	3308815082097	
Discharge pipe DN50 1 m PE 2x flange				X	X	X				12055	3308815082103	
90 degree elbow connection DN50 PE				X	X					11927	3308815081991	A1, B9
90 degree elbow connection DN50 VA				X	X					12347	3308815082004	A 1, B9
Outlet elbow with integrated valve			X							17016	3308815082462	
Standard 2" drain assembly for assembly without base						X				21516	3308815083995	C2, C3, C4, C5
Standard 2" drain assembly for assembly with base						X				21517	3308815084008	D4, D5, D6, D7, D8
Kit for transportation							X			21500	3308815090320	
Shackle NG 5 VA				X	X	X				16552	3308815082080	
Base for DN 65 Guide bars not supplied								X		21505	3308815090375	
Base for DN 80 Guide bars not supplied								X		21507	3308815090382	
Base for DN 65/80 Guide bars not supplied								X		21506	3308815090399	
Base for DN 80/100 Guide bars not supplied								X		21508	3308815090405	
Base for Sanipump VX 50 and guide bracket 120							X			21502	3308815090337	
Base for Sanipump VX 50 and guide bracket 150							X			21503	3308815090344	
base for Sanipump VX 50 and guide bracket 180							X			21504	3308815090351	
Sanipump base and single guide bracket							X			21501	3308815090368	
SLD coupling system						X				21527	3308815084176	D2
ZFS / ZPG 71 coupling system				X	X					12029	3308815081984	A2, A7
C 2" - 20 m hose with C11359B coupling		X								11359	3308815082158	
Inlet pipe 1 m 2 PE flanges DN 65								X		21528	3308815090535	
Inlet pipe 1 m 2 PE flanges DN 80								X		21529	3308815090542	
Cast iron valve 1 1/4"			X	X	X	X				10638	3308815082479	
Cast iron isolation valve DN50				X	X		X			10646	3308815082042	
Cast Iron isolation valve DN65							X			21530	3308815090504	
Cast Iron isolation valve DN80								X		21531	3308815090528	
Cast Iron isolation valve DN100								X		21532	3308815082165	

## ZF 80 Ex & ZF 100 Ex



- Cast iron submersible pump
- Suitable for black water
- Free passage of 80mm or 100mm
- Suitable for installation in a manhole or pit
- Double mechanical seal
- 10m power cable

	ZF 80 Ex	ZF 100 EX
Power	2,5 A 3,3 kW	3,3 A 7,5 kW
Voltage	400 V	400 V
Flow rate	130 m <sup>3</sup> /h	165 m <sup>3</sup> /h
Max. Head	17 m	22 m
Maximum particle size	80 mm	100 mm
Discharge diameter	DN 100	DN 100



## Kompaktboy

- Black water lifting station,
- Easily accessible for maintenance,
- Vortex impeller with free passage 50mm
- 7 inlets DN 100, DN 50, and DN 50/100,
- maximum water temperature 55°C
- 55 litre tank for Kompaktboy - 1 pump and 150 litres for Kompaktboy duplex - two pump

	Kompaktboy (1 pump)	Kompaktboy (2 pump)
Power	1,1 A 3,0 kW	1,1 A 3,0 kW
Voltage	230 and 400 W	230 and 400 W
Flow rate	49 m <sup>3</sup> /h	49 m <sup>3</sup> /h
Max. Head	15 m	15 m
Discharge diameter	DN 100	DN 100
Volume	55 L	150 L

## W80



- Polyethylene tank with a 480 litre tank with 270 litre of usable volume.
- Vortex impeller pump with 80mm free passage
- Mechanical seal with oil chamber
- Service type S3 25%
- Maximum water temperature 55°C
- IP57 rated

	W80
Power	3,0 kW
Voltage	400 V
Flow rate	60 m <sup>3</sup> /h
Max. Head	11 m
Discharge diameter	DN 100
Volume	480 L

## Tailor made lifting stations

- Polyester tanks
- Diameter 1000 to 2000mm
- Up to 6m in height
- Comes with 2 pumps in DN 50 to 100
- Accessories (valve chambers, anti fall grids, screening baskets etc) available on request

Do you have any questions? Contact us on 020 8842 0033 to speak to one of our technical team or email us at: [technical@saniflo.co.uk](mailto:technical@saniflo.co.uk)





**Pumps and Macerators brochure  
also available**

**saniflo.co.uk**

SFA Saniflo UK Limited  
Unit 1, Watford Interchange, Colonial Way  
Watford, Herts WD24 4WP Tel: 020 8842 0033

