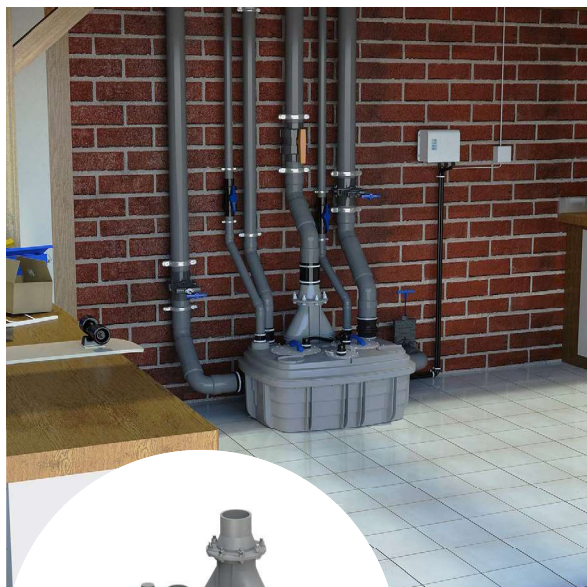


# Sanicubic 2 VX

## Grey water, black water

The Sanicubic 2 VX lifting station is designed for lifting waste water from shops, private homes and public buildings. It comes with two vortex pumps leaving a free passage of 50 mm. The 5 inlets allow the connection of several items of sanitaryware or kitchen appliances. Sanicubic 2 VX is available in 4 versions, single-phase or three-phase. The lifting station comes with a remote control box and alarm or with the smart control box and alarm.



### PERFORMANCE

- Max. head : 16 m
- Max. flow rate : 55 m<sup>3</sup>/h

### PRODUCT BENEFITS

- Floor standing for easy installation
- Easily accessible for maintenance
- 5 inlets, 2 of which are side inlets
- 2 vortex motors
- Single phase or three phase
- Alternating motor operation



See page 10



### DELIVERED AS STANDARD (Depending on model chosen)



Remote wired audible and visual alarm unit (5m)



Classic control box



SMART control box

### OPTIONAL EXTRAS



Isolation valve  
DN50 shut-off valve  
Product code: 1109

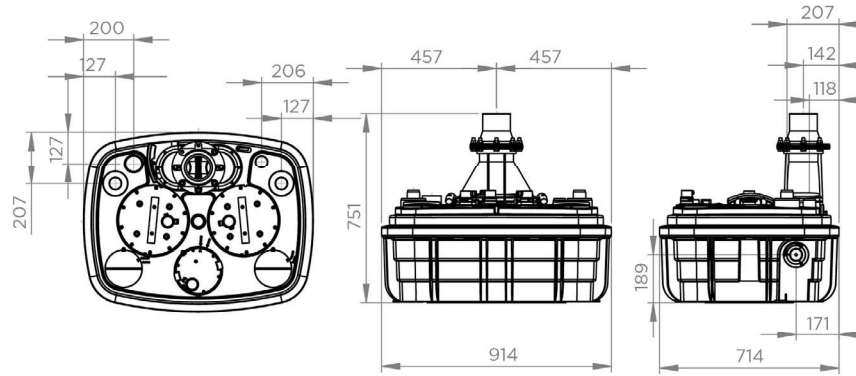


Isolation valve  
DN100 shut-off valve  
Product code: 1107/1

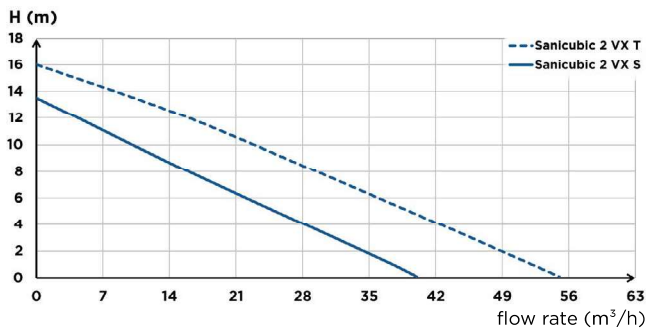


Sanicubic XL carbon filter  
Product code: 1108/1  
Barcode: 3308815076874

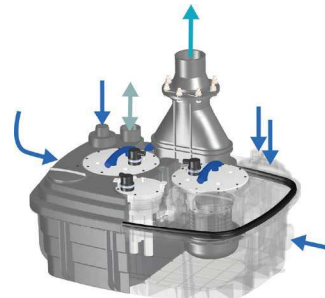
## DIMENSIONS



## CURVE



## CONNECTIONS



- ➔ External inlet diameter : 40/50/100/110/125 mm
- ➔ Discharge diameter ext. : 90/110 mm
- ↔ Ext. ventilation diameter : 75 mm

	Sanicubic 2 VX S	Sanicubic 2 VX S Smart	Sanicubic 2 VX T Smart
Type of control box	Classic	Smart	Smart
Material			
Tank	PP GF	PP GF	PP GF
Pump housing	PA 12 GF	PA 12 GF	PA 12 GF
Motor housing	PA 12 GF	PA 12 GF	PA 12 GF
Impeller	PPO GF	PPO GF	PPA GF
Electrical features			
Voltage (V)	230	230	400
Frequency (Hz)	50-60	50-60	50-60
Power consumption P1 (W)	2000	2000	3500
Power output P2 (W)	1400	1400	2800
Mode of operation	S3 30%	S3 30%	S3 15%
IP rating	IP68	IP68	IP68
Hydraulics			
Max. head (m)	13	13	16
Max. flow rate (m³/h)	40	40	55
External inlet diameter (mm)	40/50/100/110/125	40/50/100/110/125	40/50/100/110/125
External discharge diameter (mm)	90/110	90/110	90/110
External ventilation diameter (mm)	75	75	75
Total volume (L)	120	120	120
Useable volume (L)	26	26	26
ON level /OFF level (mm)	165/95	165/95	165/95
Alarm level (mm)	235	235	235
Particle size (mm)	50	50	50
Max. temperature of the pumped liquid (5 min)	70°C	70°C	70°C
Type of impeller	vortex	vortex	vortex
Type of activation	pneumatic	pneumatic	pneumatic
Identification and logistics			
Gross weight (kg)	101	101	102
Barcode	3308815063140	3308815076171	3308815076188
Product code	30007	30008	30010