

# Sanipump ZPG 71

The Sanipump ZPG 71 is a cast iron submersible pump for pumping grey water and rainwater with a maximum lift height of 31 m and a free passage of 40 mm. Sanipump ZPG 71 can be installed in a manhole or pit. All accessories are available for installation on the floor or on a base.

Sanipump ZPG 71 is compatible with Sanifos 1600/2100/3100 and is available in 4 versions: 1 single-phase and 3 three-phase.



## PERFORMANCE

- Total head: 32 m
- Max. flow rate: 43 m<sup>3</sup>/h

DEPENDING ON MODEL

## PRODUCT BENEFITS

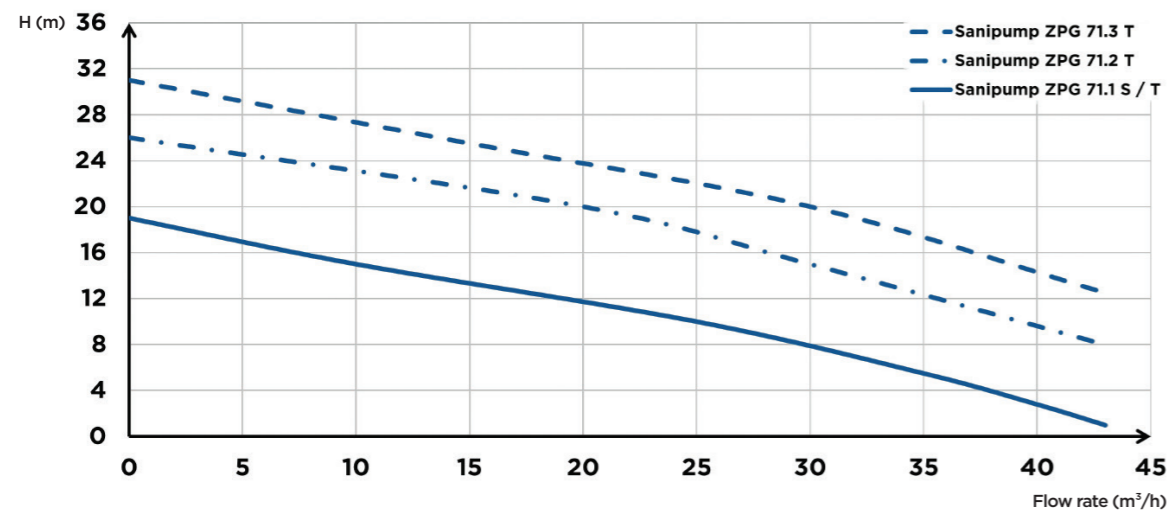
- Rainwater lifting
- S1 mode, if motor fully submerged
- Integrated stand
- Bi-channel impeller
- 40 mm free passage
- Available in 4 versions
- Compatible with Sanifos 1600/2100/3100

## PACKAGING

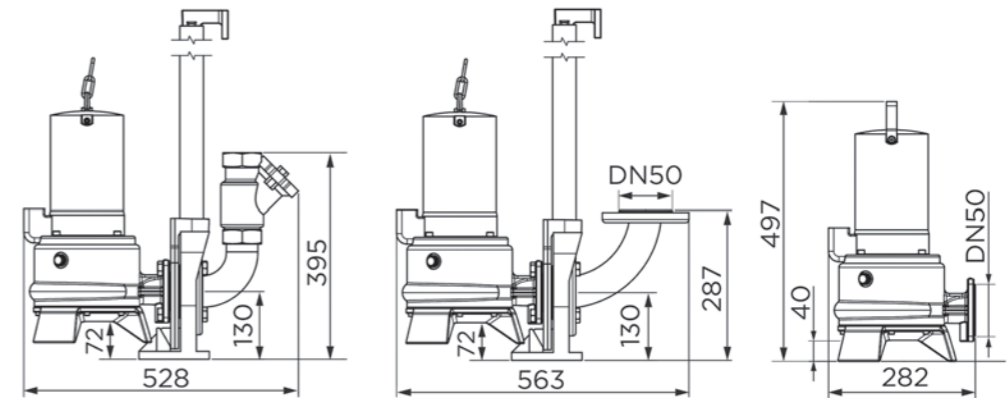
Sanipump ZPG pump, stand



## CURVE



## DIMENSIONS



Dimensions (mm)

	Sanipump ZPG 71.1 S	Sanipump ZPG 71.1 T	Sanipump ZPG 71.2 T	Sanipump ZPG 71.3 T
<b>Material</b>				
Shaft	Stainless steel	Stainless steel	Stainless steel	Stainless steel
Pump housing	GG-20	GG-20	GG-20	GG-20
Waterproofing	Carbon/ceramic	Carbon/ceramic	Carbon/ceramic	Carbon/ceramic
Foot	GG-20	GG-20	GG-20	GG-20
Motor housing	GG-20	GG-20	GG-20	GG-20
Impeller	GG-20	GG-20	GG-20	GG-20
<b>Electrical features</b>				
Voltage (V)	230	400	400	400
Frequency (Hz)	50-60	50-60	50-60	50-60
Power consumption P1 (W)	2200	2100	3900	3900
Power output P2 (W)	1600	1700	3200	3200
Revolutions per minute (RPM)	2800	2800	2800	2800
Electrical class	I	I	I	I
Motor insulation class	F	F	F	F
Submerged	S1	S1	S1	S1
Mode of operation	S3 40%	S3 40%	S3 40%	S3 40%
Immersion depth (m)	5	5	5	5
Power cable: length (m)	10	10	10	10
Power cable: type of cable, section (mm <sup>2</sup> )	SIBN8-F, 1.5	SIBN8-F, 1.5	SIBN8-F, 1.5	SIBN8-F, 1.5
<b>Hydraulics</b>				
Max. head (m)	19	19	26	31
Max. flow rate (m <sup>3</sup> /h)	43	43	43	43
Discharge diameter DN	50	50	50	50
Particle size (mm)	40	40	40	40
Max. temperature of the pumped liquid (5 min)	70°C	70°C	70°C	70°C
Type of impeller	Two-channel	Two-channel	Two-channel	Two-channel
<b>Identification and logistics</b>				
Gross weight (kg)	38	40	44	46
Barcode	3308815081533	3308815081540	3308815081557	3308815081564
Product code	21857	21858	21859	21860

Key: S - Single phase, T - Three-phase