

Sanisub 800

The Sanisub 800 is a submersible clear water pump for removing flood water from buildings or cellars. It can lift water up to 11 m. It is triggered automatically by an integrated lever float. Versatile, it can be transformed into a low suction pump for residual water by using its removable drain and the float lock for continuous operation.



PERFORMANCE

- Max. Head: 11 m
- Max. Flow rate: 15 m³/h

PRODUCT FEATURES & BENEFITS

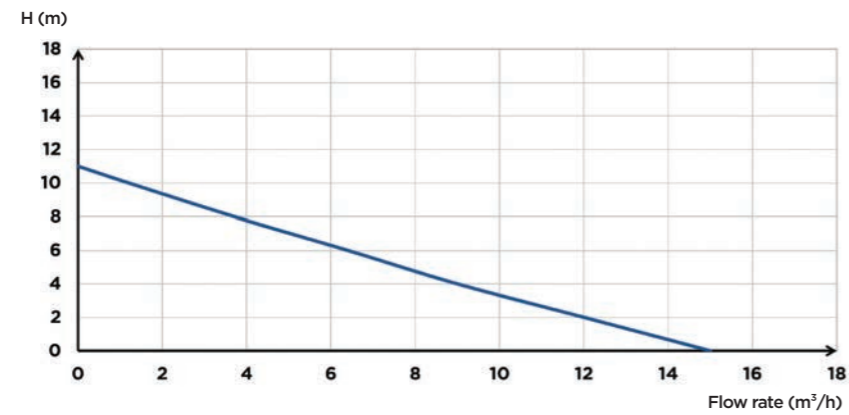
- Automatic release
- Max. 7 m immersion depth
- 5 mm suction without strainer
- 20 mm particle size
- Integrated non-return valve
- Float lock ring included

PACKAGING

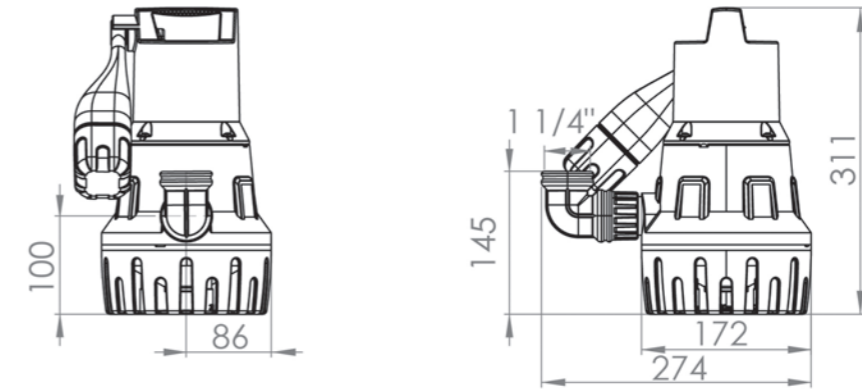
Sanisub 800 pump, supply cable (10 m). 90° connection elbow, non-return valve



CURVE



DIMENSIONS



	Sanisub 800
Material	
Shaft	Stainless steel
Pump housing	PP GF
Seal	NBR
Motor housing	Stainless steel
Impeller	PA 6 GF
Electrical features	
Voltage (V)	230
Frequency (Hz)	50
Power consumption P1 (W)	800
Power output P2 (W)	600
Revolutions per minute (RPM)	2800
Electrical class	I
Immersion depth (m)	7
Power cable: Length (m)	10
Hydraulics	
Max. Head (m)	11
Max. Flow rate (m ³ /h)	15
Discharge diameter G (inch)	1 1/4
Discharge diameter ext. (mm)	40
ON Level /OFF level (mm)	250/130
Particle size (mm)	20
Max. Temperature of the pumped liquid (5 min max)	70°C
Type of impeller	multi-channel
Type of activation	float
Identification and logistics	
Gross weight (kg)	6.5
Barcode	3308815096308
Product code	33105